

# Roth 6 channel heating/cooling connection module

## Installation instructions

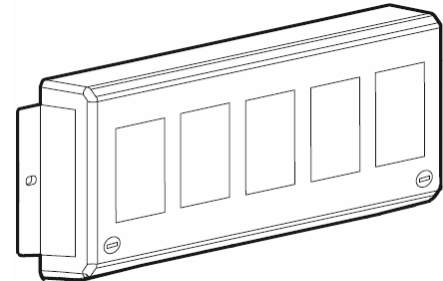


### Roth 6 channel heating/cooling connection module

A connection unit specifically for heating and cooling operation for a clearly arranged connection between Roth actuators and the Roth room thermostat RRT 227. The 24 V connection modules, actuators and room thermostats can be used with the Roth RT-2 transformer.

Change-over between heating and cooling is automatic via an external signal from the Roth operation mode switch or a Roth heat pump.

The optional Roth dewpoint module and the Roth humidity sensor prevent condensation moisture during cooling operation. The optional Roth pump control card provides a pump connection.



### Technical data

Power supply

230 V~ 50 Hz, Material No. 1135004563  
24 V~ 50 Hz, Material No. 1135004564

Safety

- Overvoltage category III, according to EN 60730

Outputs

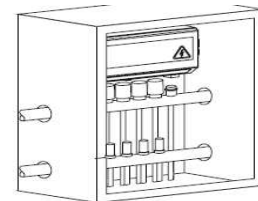
- A total of max. 14 actuators per connection module with a maximum of 4 actuators per channel
- C/O output, active during cooling
- Pump connection; see accessories

Ambient conditions

- Operation between -5 °C and 50 °C
- Ambient humidity < 90 %rH
- IP 44 (EN 60529), contamination degree II

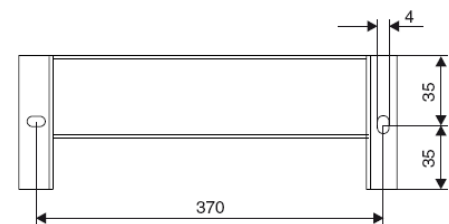
### Attachment

Suitable for installation in the Roth manifold cabinet.



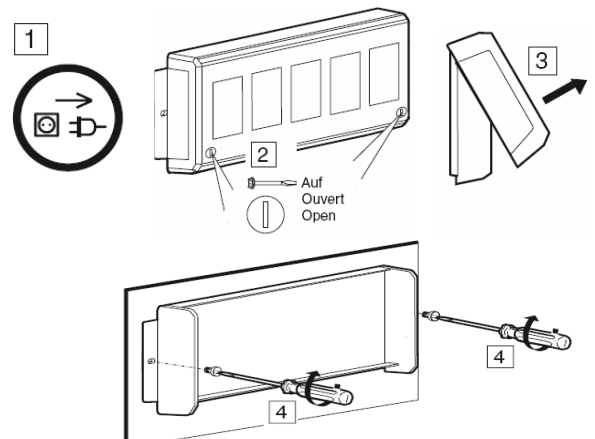
### Dimensions

L/W/H: 385 mm x 98 mm x 55 mm



### Installation steps

- 1 Make sure it is de-energized
- 2 Turn housing screws 90° to a vertical position
- 3 Open cover
- 4 Attach connection module



# Roth 6 channel heating/cooling connection module

## Installation instructions

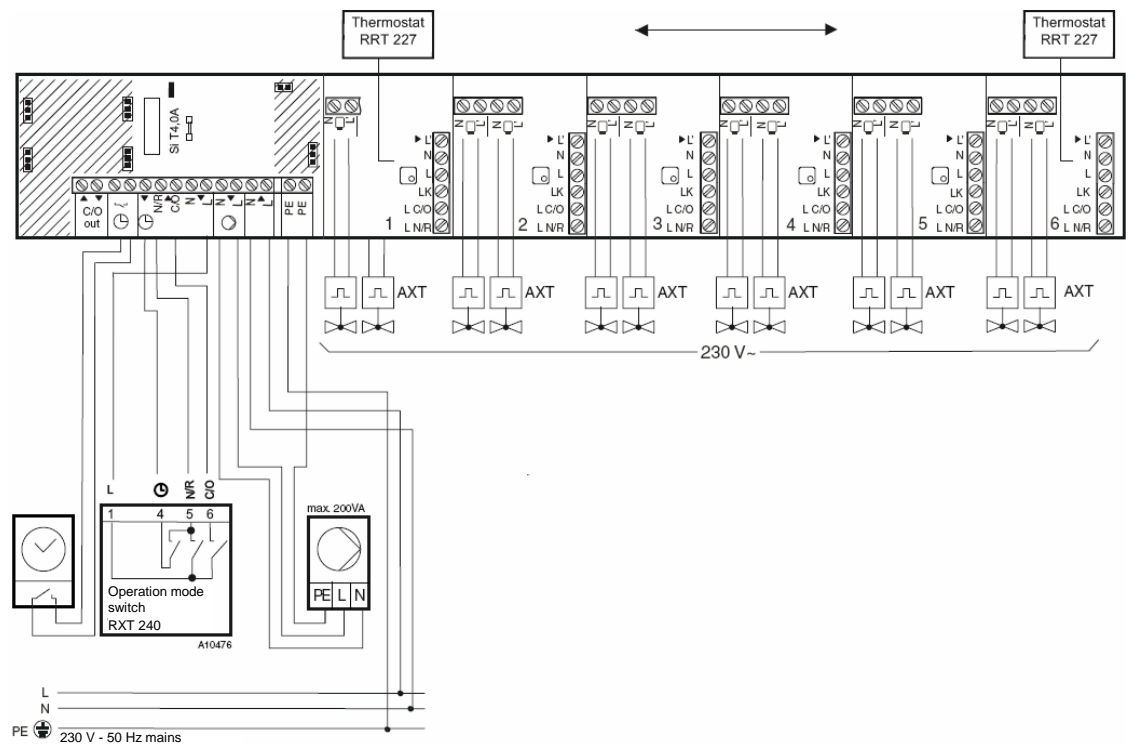


### Electrical connection

- ⚠ There is a life hazard from electric shock due to live components behind the cover.
- ⚠ Installation may only be carried out by a qualified electrician or service personnel from the manufacturer.
- ⚠ Disconnect unit from the mains power before starting any work on the electrical connections.
- ⚠ Only apply power to the unit after completed installation and once the housing is closed. Do not leave the unit open and unattended.

Connection faults can lead to the control distributor being damaged.

### 230 V connection module



### 24 V connection module

