

Roth room thermostat RRT 227

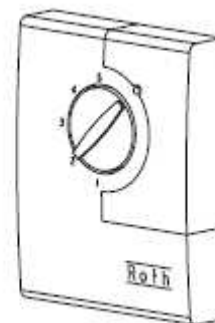
Installation instructions



Roth room thermostat RRT 227

The Roth room thermostat RRT 227 is cable-connected, energy saving and easy to operate. It regulates the room temperature by directly and electronically controlling the connected heating or cooling circuit.

It has a control input for automatic changeover between heating and cooling and a lowering input for activating lowering mode.



Technical data

Power supply

230 V AC +10/-20 % 50 Hz, → Mat. No. 1135004567
Note: Do not use different phases

24 V* AC ± 20 % 50 Hz, → Mat. No. 1135004568
*via external isolating transformer according to EN61558-2-6

Safety

EN 60730-1/2-9, safety class II (EN 60730) 230 V

EN 60730-1/2-9, safety class III (EN 60730) 24 V

Overvoltage category II

* Device with electronic shutdown

Outputs

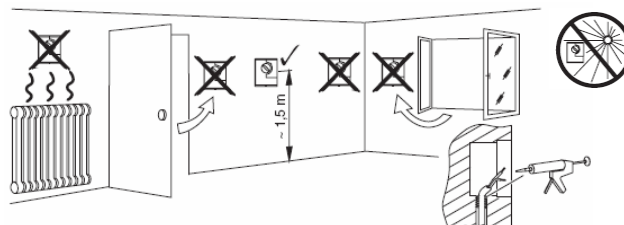
230V model; max.700 mA → max. 6 actuating drives parallel
24 V model; max. 700 mA → maxi. 4 actuating drives parallel

Ambient conditions

- Operation between 0 °C and 60 °C
- Humidity 25 °C, 80 % (without condensation)
- IP 20 (EN 60529), contamination degree 2
- Rated impulse withstand voltage 2500 V

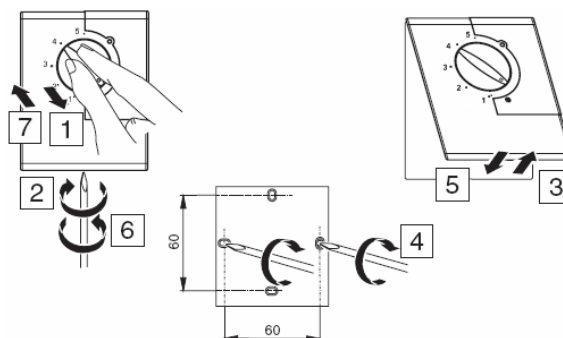
Attachment

The location must be protected against heat sources, e.g. television, lamps or radiators, but also against drafts.



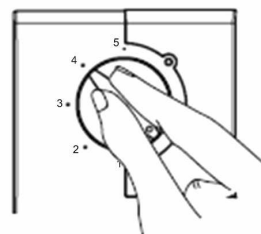
Installation steps

- 1 Remove the control knob
- 2 Loosen screw on underside of front section
- 3 Remove front section
- 4 Secure attachment plate with two screws: horizontal or vertical at a distance of 60 mm
- 5 Re-attach front section
- 6 Tighten screw
- 7 Put control knob back on



Temperature setting

Turn the control knob until the indicator points to the room temperature you want.



Roth room thermostat RRT 227

Installation instructions



Electrical connection

- ⚠ Hazard from live parts behind the cover.
- ⚠ Installation only by a qualified electrician.
- ⚠ Make sure it is de-energized before beginning any work.
- ⚠ Only reconnect the voltage after completed connection and installation.

N/R function and C/O input:

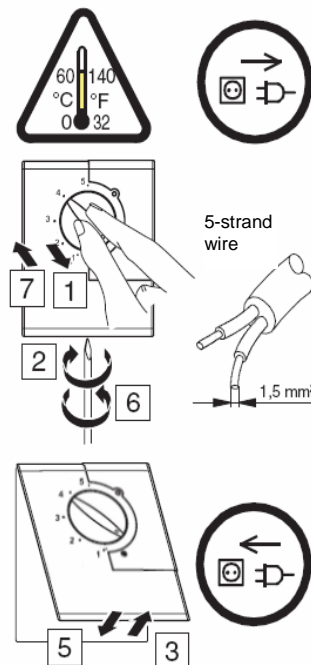
- Terminal 5: N/R
Lowering input: With a 230/ 24* V signal e.g. from an external timer, the set temperature is lowered by 3 K.
- Terminal 6: C/O
Changeover input cooling mode
At 230/24*V: Cooling activated.
At 0 V: Heating activated.

* for 24 V thermostat 1135004568

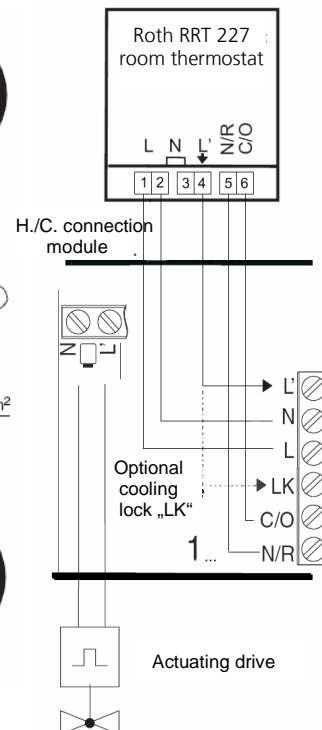
Optional cooling lock

If you connect terminal 4 with terminal LK instead of terminal L on the connection module, this channel is then locked for cooling mode.

Installation steps



Connection diagram



What to do if ...

- > the thermostat is not functioning?
 - Check the mains fuse or circuit breaker of the power supply circuit.
 - Check connections at both ends of the line.
- > the temperature is not being regulated correctly?
 - Check whether the flow is being correctly controlled in your heating circuit (floor heating).
 - Check the function of the circulation pump (only floor heating).
- > the red LED is constantly lit and the thermostat is apparently working but the heating does not start up?
 - Check the mains fuse or circuit breaker of the power supply circuit for the heating.
 - Check whether the activated device has been correctly parameterised, e.g. basic setting of the thermal drive open or closed.
 - Check whether the supply valves are open and whether the corresponding flow volumes are adjusted (only floor heating).

If the error cannot be eliminated please contact customer services.