

Standard System - Best prices in good quality

Premium System - Best quality in good price



In our products we use KARA
steels made by ArcelorMittal.

MK Sp. z o.o.
ul. Wiśniowa 24, 68-200 Żary
tel. +48 68 458 19 15, 68 458 19 30, 68 458 19 60,
68 458 19 80
fax +48 68 458 19 14
Polska
dział.sprzedazy@mkzary.pl
www.mkzary.pl



www.mkzary.pl

STANDARD / PREMIUM PRICE LIST

MKS, MKKS, MKD, MKKD Systems,
Accessories

2010 1st Edition

Example of instalation

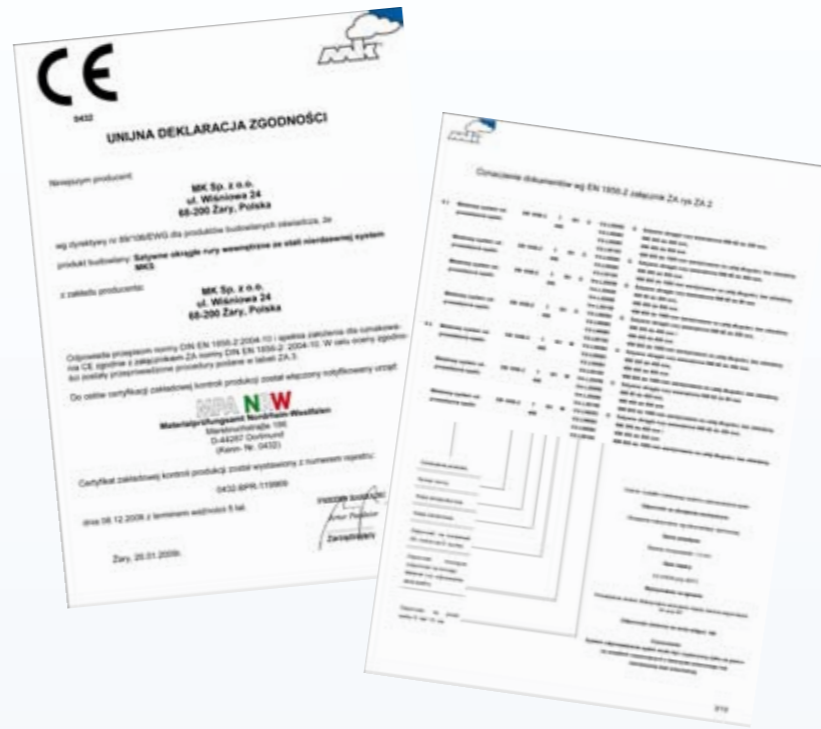


MKS Standard System

Best prices in good quality

CE 0432-BPR-I 19969
 EN 1856-2 T450-NI-D-V2-L99050-G
 EN 1856-2 T450-NI-W-V2-L99050-O

Technical data:
 Working conditions: Underpressure
 Core pipe material: steel 1.4521
 Working temperature: up to 450°C
 Workig pressure: NI (40 Pa)
 Kind of fuel: natural gas, oil (sulphur content <0,2% of weight)
 Technology of connections: welding, spot welding
 MKS Oval Standard - conversion chart on the last page



| Outlet WPF | Ø 80 | Ø 100 | Ø 113 | Ø 120 | Ø 130 | Ø 140 | Ø 150 | Ø 160 | Ø 180 | Ø 200 | Ø 225 | Ø 250 |
|------------|-------|-------|-------|-------|-------|-------|-------|-------|-------|-------|-------|-------|
| Ø 80 | 10,83 | 10,83 | 11,39 | 11,39 | 12,78 | 13,61 | 13,89 | 14,72 | - | - | - | - |
| Ø 100 | 10,83 | 10,83 | 11,39 | 11,39 | 12,78 | 13,61 | 13,89 | 14,72 | 15,83 | 17,78 | - | - |
| Ø 113 | 11,39 | 11,39 | 11,39 | 11,39 | 12,78 | 13,61 | 13,89 | 14,72 | 15,83 | 17,78 | - | - |
| Ø 120 | 11,39 | 11,39 | 11,39 | 11,39 | 12,78 | 13,61 | 13,89 | 14,72 | 15,83 | 17,78 | - | - |
| Ø 130 | 12,78 | 12,78 | 12,78 | 12,78 | 12,78 | 13,61 | 13,89 | 14,72 | 15,83 | 17,78 | 23,89 | 28,61 |
| Ø 140 | 13,61 | 13,61 | 13,61 | 13,61 | 13,61 | 13,61 | 13,89 | 14,72 | 15,83 | 17,78 | 23,89 | 28,61 |
| Ø 150 | 13,89 | 13,89 | 13,89 | 13,89 | 13,89 | 13,89 | 13,89 | 14,72 | 15,83 | 17,78 | 23,89 | 28,61 |
| Ø 160 | 14,72 | 14,72 | 14,72 | 14,72 | 14,72 | 14,72 | 14,72 | 14,72 | 15,83 | 17,78 | 23,89 | 28,61 |
| Ø 180 | 15,83 | 15,83 | 15,83 | 15,83 | 15,83 | 15,83 | 15,83 | 15,83 | 15,83 | 17,78 | 23,89 | 28,61 |
| Ø 200 | 17,78 | 17,78 | 17,78 | 17,78 | 17,78 | 17,78 | 17,78 | 17,78 | 17,78 | 17,78 | 23,89 | 28,61 |
| Ø 225 | - | - | - | - | 23,89 | 23,89 | 23,89 | 23,89 | 23,89 | 23,89 | 23,89 | 28,61 |
| Ø 250 | - | - | - | - | 28,61 | 28,61 | 28,61 | 28,61 | 28,61 | 28,61 | 28,61 | 28,61 |

| Symbol | Item name / diameter | Ø 100 | Ø 113 | Ø 120 | Ø 130 | Ø 140 | Ø 150 | Ø 160 | Ø 180 | Ø 200 | Ø 225 | Ø 250 | Ø 300 | Ø 350 | Ø 400 | Ø 450 | Ø 500 | |
|--------|----------------------|------------------------------------|------------------|--------|--------|--------|-------|--------|--------|--------|--------|-------|-------|-------|--------|--------|--------|--------|
| 1 | DH | Roof plate | 13,06* | 13,89* | 14,72* | 15,56* | 16,39 | 17,78* | 18,61* | 20,56* | 23,61* | 26,39 | 36,67 | 43,61 | 52,50 | 60,56 | 69,17 | 78,06 |
| 2 | KPR | Cleanout | 18,61* | 19,72* | 20,56* | 21,94* | 22,22 | 23,89* | 24,72* | 26,67* | 28,33* | 30,28 | 37,78 | 45,00 | 65,56 | 71,67 | 77,78 | 83,89 |
| 3 | KPR FU | Cleanout | 24,44 | 25,56 | 26,11 | 26,67 | 27,50 | 30,00 | 30,83 | 32,78 | 34,44 | 36,39 | 49,17 | 73,61 | - | - | - | - |
| 4 | KPR+OK | Cleanout with condensate collector | 18,61 | 19,72 | 20,28 | 21,39 | 22,22 | 23,89 | 30,28 | 32,78 | 35,56 | 37,22 | 43,06 | 65,56 | - | - | - | - |
| 5 | ŁK 90 | Elbow 90° | 16,11* | 18,06* | 19,72* | 20,28* | 23,06 | 25,00* | 28,06* | 30,56* | 32,22* | 38,61 | 50,00 | 59,17 | - | - | - | - |
| 6 | ŁKR 90 | Elbow 90° | 21,67* | 24,17* | 26,11* | 27,22* | 30,00 | 32,78* | 34,17* | 37,78* | 40,56* | 48,06 | 62,50 | 67,50 | - | - | - | - |
| 7 | ŁKRS 90 | Elbow 90° | - | - | - | - | - | - | - | - | - | - | - | - | 81,11 | 95,56 | 109,72 | 128,06 |
| 8 | ŁKS 90 | Elbow 90° | - | - | - | - | - | - | - | - | - | - | - | - | 72,22 | 87,50 | 100,83 | 119,17 |
| 9 | OD | Condensate collector | 10,83 | 11,11 | 11,67 | 11,94 | 12,22 | 12,50 | 12,78 | 13,89 | 16,67 | 19,17 | 21,67 | 23,89 | 30,83 | 36,39 | 42,22 | 48,61 |
| 10 | PP | Transitional support | 26,67 | 28,89 | 30,28 | 31,94 | 33,89 | 35,83 | 37,78 | 41,67 | 43,06 | 45,28 | 69,17 | 83,89 | 122,50 | 141,94 | 162,22 | 183,89 |
| 11 | RD MKS | Reduction | 11,94 | 12,50 | 12,78 | 14,17 | 15,00 | 15,56 | 16,39 | 17,50 | 19,72 | 26,67 | 31,67 | 37,78 | - | - | - | - |
| 12 | RP L250 | Pipe L250 | 6,11* | 6,94* | 7,22* | 8,06* | 8,61 | 9,17* | 9,72* | 10,83* | 11,94* | 13,61 | 18,61 | 22,50 | - | - | - | - |
| 13 | RP L330 | Pipe L330 | - | - | - | - | - | - | - | - | - | - | - | - | 26,11 | 38,61 | 44,44 | 48,06 |
| 14 | RP L500 | Pipe L500 | 9,72* | 11,94* | 12,78* | 13,61* | 14,44 | 16,39* | 17,22* | 19,17* | 21,39* | 23,61 | 27,78 | 33,33 | 40,56 | 46,39 | 51,94 | 57,50 |
| 15 | RP L1000 | Pipe L1000 | 19,17* | 21,67* | 23,06* | 25,00* | 26,67 | 28,61* | 30,56* | 34,17* | 38,06* | 42,78 | 49,44 | 59,44 | 70,28 | 80,28 | 90,00 | 100,00 |
| 16 | RPJ | Telescopic pipe | 21,11 | 23,33 | 24,44 | 26,11 | 27,78 | 29,44 | 31,11 | 34,72 | 38,06 | 42,22 | 59,17 | 70,28 | 87,50 | 99,44 | 111,39 | 123,33 |
| 17 | RPU L1000 | Pipe with eyes | 19,72* | 22,22* | 23,61* | 25,56* | 27,50 | 29,17* | 31,94* | 34,72* | 38,89* | 43,33 | 60,28 | 71,94 | - | - | - | - |
| 18 | SK 45 | Elbow 45° | 10,56* | 12,22* | 13,06* | 13,61* | 14,17 | 16,67* | 17,78* | 20,28* | 22,78* | 26,39 | 37,22 | 47,22 | - | - | - | - |
| 19 | SKS 15 | Elbow 15° | - | - | - | - | - | - | - | - | - | - | - | - | 48,33 | 60,00 | 66,94 | 76,39 |
| 20 | SKS 30 | Elbow 30° | - | - | - | - | - | - | - | - | - | - | - | - | 48,33 | 60,00 | 66,94 | 76,39 |
| 21 | SKS 45 | Elbow 45° | - | - | - | - | - | - | - | - | - | - | - | - | 48,61 | 60,00 | 66,94 | 76,39 |
| 22 | TR 45 | Tee-pipe | 22,78 | 24,44 | 26,39 | 29,17 | 31,94 | 35,00 | 38,61 | 46,39 | 54,17 | 62,50 | 80,83 | 96,11 | 132,78 | 164,17 | 188,61 | 230,56 |
| 23 | TR 90 | Tee-pipe | 16,94* | 18,89* | 20,28* | 21,67* | 23,06 | 24,72* | 28,89* | 30,56* | 32,22* | 38,89 | 41,11 | 52,50 | 86,67 | 105,28 | 118,06 | 149,17 |
| 24 | TR REG | Tee-pipe | - | 18,89 | 20,28 | 21,67 | 23,06 | 24,72 | 28,89 | 31,39 | 34,44 | 38,89 | 54,72 | 69,44 | - | - | - | - |
| 25 | TRPF 90 | Tee-pipe | 16,94 | 18,89 | 20,28 | 21,67 | 23,06 | 24,72 | 28,89 | 30,56 | 32,22 | 38,89 | 41,11 | 52,50 | - | - | - | - |
| 26 | WPF | TRPF tee-pipe outlet | in another table | | | | | | | | | | | | | | | |

| Symbol | Item name / diameter | Ø 100 | Ø 113 | Ø 120 | Ø 130 | Ø 140 | Ø 150 | Ø 160 | Ø 180 | Ø 200 | Ø 225 | Ø 250 | Ø 300 | Ø 350 | Ø 400 | Ø 450 | Ø 500 | |
|--------|----------------------|-----------------------------------|--|--------|--------|--------|-------|--------|--------|--------|--------|-------|-------|--------|--------|--------|--------|--------|
| 1 | A | Pipe cover | 9,17* | 11,94* | 11,94* | 12,22* | 12,22 | 12,50* | 15,83* | 18,06* | 21,67* | 31,39 | 36,11 | 51,39 | 62,22 | 77,22 | 116,39 | 138,33 |
| 2 | AD W | Deflector | 20,28 | 26,39 | 27,22 | 28,89 | 31,11 | 34,44 | 37,78 | 45,56 | 52,22 | 67,78 | 90,00 | 112,78 | - | - | - | - |
| 3 | AH | Stabilizer | 4,95* | 5,00* | 5,28* | 5,28* | 5,28 | 5,56* | 5,56* | 5,83* | 6,11 | 7,78 | 8,33 | 8,89 | 9,44 | 10,00 | 10,56 | |
| 4 | DHKK | Roof plate | 35,83 | 38,06 | 40,28 | 42,50 | 44,44 | 46,11 | 47,50 | 49,44 | 51,39 | 54,72 | 63,33 | 71,39 | 80,00 | 90,28 | 99,72 | 110,83 |
| 5 | DHS | Roof plate with aeration | 16,94* | 21,39* | 21,94* | 22,78* | 23,89 | 24,72* | 25,83* | 27,78* | 29,72* | 32,50 | 43,06 | - | - | - | - | - |
| 6 | IP | Flange | 8,89* | 9,44* | 9,44* | 10,00* | 10,28 | 12,78* | 13,61* | 14,17* | 14,72* | 15,56 | 16,67 | 17,50 | 20,56 | 23,89 | 27,50 | 31,39 |
| 7 | K | Cleanout door | Cleanout door 120x180- 6,4 :Cleanout door 200x300- 11,1* | | | | | | | | | | | | | | | |
| 8 | OB | Pipe clamp | 6,11* | 6,11 | 6,11 | 6,11 | 6,11 | 6,39* | 6,94 | 7,22 | 7,22 | 7,22 | 7,78 | 8,89 | 9,72 | 10,83 | 11,94 | 13,06 |
| 9 | OBM | Clamp | 7,22* | 7,22 | 7,50 | 8,33 | 8,61 | 9,44* | 9,44 | 10,55 | 10,83 | - | - | - | - | - | - | - |
| 10 | OW | Inserted cover | - | 7,22 | 7,78 | 8,33 | 8,89 | 9,44 | 10,00 | 11,11 | 12,50 | - | - | - | - | - | - | - |
| 11 | PDI 0 | Roof flashing MKS 0° - 5° | 26,39* | 27,78 | 28,89 | 30,00 | 31,67 | 33,89* | 34,44 | 36,39 | 37,22 | 42,50 | 46,39 | 52,78 | 59,44 | 69,17 | 77,78 | 88,33 |
| 12 | PDI 15 | Roof flashing MKS 5° - 20° | 29,72* | 31,39 | 32,22 | 33,33 | 35,00 | 37,78* | 37,78 | 39,72 | 40,56 | 45,83 | 50,56 | 57,22 | 63,61 | 71,94 | 83,61 | 96,39 |
| 13 | PDI 30 | Roof flashing MKS 20° - 35° | 31,39* | 33,89 | 34,44 | 35,83 | 37,50 | 39,44* | 42,22 | 44,72 | 45,28 | 51,94 | 57,22 | 69,72 | 87,78 | 100,83 | 107,22 | 126,11 |
| 14 | PDI 45 | Roof flashing MKS 35° - 40° | 40,28* | 43,61 | 45,56 | 47,50 | 49,44 | 51,39* | 58,06 | 63,06 | 66,94 | 77,22 | 88,06 | 97,78 | 119,72 | 125,56 | 136,39 | 145,56 |
| 15 | RKP | Rain flange | 10,56* | 11,11 | 11,11 | 11,67 | 11,94 | 12,50* | 12,78 | 13,61 | 14,44 | 15,56 | 20,00 | 23,06 | 26,67 | 30,28 | 34,44 | 38,61 |
| 16 | Z+DR | Cleanout extension + door 120x180 | L 100-41,67; L 150- 44,44; L 250-52,78 | | | | | | | | | | | | | | | |
| 17 | DR | Door 120x180 | 26,94* | | | | | | | | | | | | | | | |
| 18 | RCO | Round draught adujster | 60,28* | | | | | | | | | | | | | | | |
| 19 | UKK | Gasket | 1,94* | 1,94* | 1,94* | 1,94* | 2,22* | 2,22* | 2,22* | 2,50* | 2,78* | 3,06* | 3,33* | 3,89* | 4,44* | 5,83* | 6,94* | 7,50* |

*- Elements available in stock Prices in EUR without tax
 **- The symbol of the element is made by inserting diameter into XX place. F.ex. Raincap A diameter 150 – symbol 0A150.
 The remaining elements not mentioned in the price list are subject to individual quotation after receiving appropriate information from the customer.



Example of instalation

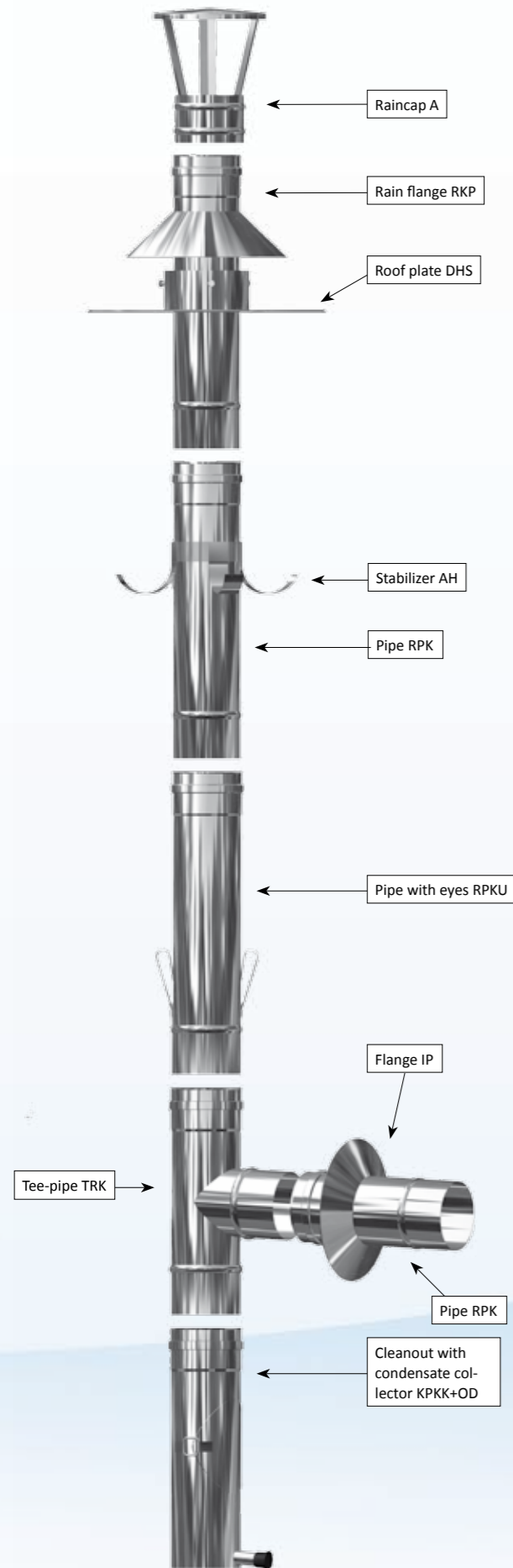
MKKS Standard System

Best prices in good quality

CE 0432-BRD-I 19973

- EN 1856-2 T200-PI-W-V2-L99050-O
- EN 1856-2 T450-NI-D-V2-L99050-G
- EN 1856-2 T200-PI-W-Vm-L20050-O
- EN 1856-2 T450-NI-D-Vm-L20050-G
- EN 1856-2 T450-NI-W-V2-L99050-O

Technical data:
 Working conditions: Underpressure, Overpressure
 Core pipe material: steel 1.4521/1.4301
 Working temperature: up to 450°C, with gasket up to 200°C
 Workig pressure: NI (40 Pa), with gasket PI (200 Pa)
 Kind of fuel: natural gas, oil (sulphur content <0,2% of weight)
 Technology of connections: welding, spot welding

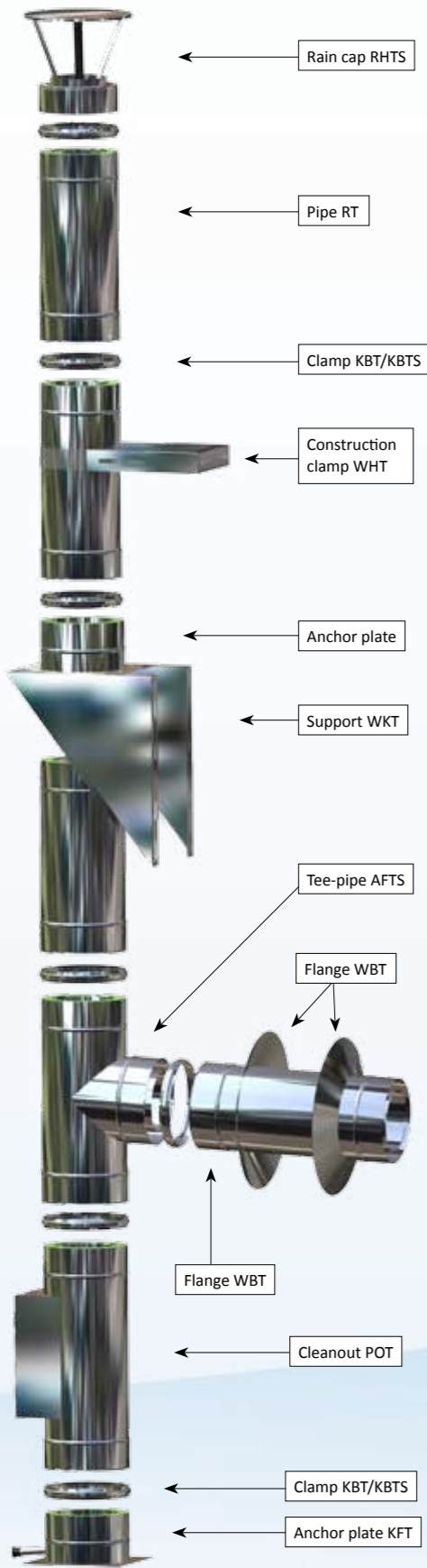


| Single-wall system MKKS STANDARD | | | | | | | | | | | | | | | | | |
|----------------------------------|----------------------|---------------------------------------|-------|-------|-------|-------|-------|-------|-------|-------|-------|-------|--------|--------|--------|--------|--------|
| Symbol | Item name / diameter | Ø 113 | Ø 120 | Ø 130 | Ø 140 | Ø 150 | Ø 160 | Ø 180 | Ø 200 | Ø 225 | Ø 250 | Ø 300 | Ø 350 | Ø 400 | Ø 450 | Ø 500 | |
| 1 | KPKK | Cleanout | 25,28 | 26,39 | 29,72 | 30,56 | 31,39 | 32,22 | 33,89 | 35,83 | 45,83 | 46,94 | 65,00 | 72,78 | 82,22 | 91,39 | 101,39 |
| 2 | KPKK+OD | Cleanout with condensate collector | 33,33 | 33,89 | 37,78 | 39,17 | 40,28 | 41,67 | 44,44 | 46,94 | 59,72 | 59,44 | 82,78 | 94,44 | 106,11 | 118,33 | 130,56 |
| 3 | ŁKK 90 | Elbow 90 | 25,00 | 26,39 | 27,22 | 29,72 | 33,89 | 35,83 | 37,78 | 43,61 | 48,61 | 52,78 | 66,94 | 72,22 | 87,50 | 100,83 | 119,17 |
| 4 | ŁKK 93 | Elbow 93 | 25,00 | 26,39 | 27,22 | 29,72 | 33,89 | 35,83 | 37,78 | 43,61 | 48,61 | 52,78 | 66,94 | 72,22 | 87,50 | 100,83 | 119,17 |
| 5 | ŁPKK 93 | Elbow 93 | 41,39 | 44,72 | 47,22 | 50,83 | 55,83 | 56,11 | 66,67 | 80,83 | 89,17 | 91,94 | 111,67 | - | - | - | - |
| 6 | ŁRKK 93 | Elbow withinspection door | 28,61 | 30,56 | 32,22 | 34,44 | 37,22 | 39,17 | 45,00 | 50,83 | 58,33 | 59,44 | 73,61 | 81,11 | 95,56 | 109,72 | 128,06 |
| 7 | ODKK | Condensate collector | 17,78 | 18,61 | 19,72 | 21,11 | 22,22 | 23,33 | 25,56 | 28,06 | 31,67 | 33,61 | 35,83 | 37,22 | 43,33 | 50,00 | 56,67 |
| 8 | RDK | Reduction | 12,50 | 12,78 | 14,17 | - | - | - | - | - | - | - | - | - | - | - | - |
| 9 | RPK L250 | Pipe L 250 | 6,94 | 7,22 | 8,06 | 9,17 | 9,44 | 9,72 | 10,83 | 11,94 | 13,61 | 18,61 | 22,50 | - | - | - | - |
| 10 | RPK L330 | Pipe L 330 | - | - | - | - | - | - | - | - | - | - | - | 26,11 | 38,61 | 44,44 | 48,06 |
| 11 | RPK L500 | Pipe L 500 | 11,94 | 12,78 | 13,61 | 14,44 | 16,39 | 17,22 | 19,17 | 21,39 | 23,61 | 27,78 | 33,33 | 40,56 | 46,39 | 51,94 | 57,50 |
| 12 | RPK L1000 | Pipe L 1000 | 21,67 | 23,06 | 25,00 | 26,67 | 28,61 | 30,56 | 34,17 | 38,06 | 42,78 | 49,44 | 59,44 | 70,28 | 80,28 | 90,00 | 100,00 |
| 13 | RPK+OD | Pipe with condensate collector | 22,22 | 22,78 | 23,33 | 23,89 | 24,44 | 24,72 | 25,56 | 26,94 | 28,33 | 31,11 | 40,56 | 46,11 | 51,11 | 57,50 | 63,89 |
| 14 | RPKJ | Telescopic pipe | 34,17 | 35,56 | 36,39 | 38,33 | 40,28 | 43,89 | 46,39 | 51,11 | 56,39 | 72,22 | 85,28 | 98,61 | 111,11 | 123,61 | 136,11 |
| 15 | RPKM 1/2"x1 L250 | Pipe with measurement connection 64X4 | 20,00 | 20,28 | 21,11 | 22,22 | 21,67 | 22,78 | 23,89 | 25,00 | 26,67 | 31,67 | 35,56 | - | - | - | - |
| 16 | RPKM 64"x4 L330 | Pipe with measurement connection 1/3 | - | - | - | - | - | - | - | - | - | - | - | 39,17 | 51,67 | 57,50 | 61,11 |
| 17 | RPKU L1000 | Pipe with assembly eyes | 22,22 | 23,61 | 25,56 | 27,50 | 29,17 | 31,94 | 34,72 | 38,89 | 43,33 | 60,28 | 71,94 | - | - | - | - |
| 18 | SKK 15 | Elbow 15° | 17,50 | 18,33 | 19,72 | 20,56 | 23,61 | 25,00 | 28,06 | 30,83 | 36,11 | 39,72 | 40,83 | 48,33 | 60,00 | 66,94 | 76,39 |
| 19 | SKK 30 | Elbow 30° | 17,78 | 18,61 | 20,00 | 20,83 | 23,89 | 25,28 | 28,33 | 31,11 | 36,39 | 40,00 | 41,11 | 48,33 | 60,00 | 66,94 | 76,39 |
| 20 | SKK 45 | Elbow 45° | 18,06 | 18,89 | 20,28 | 21,11 | 24,17 | 25,56 | 28,61 | 31,39 | 36,67 | 40,28 | 41,67 | 48,61 | 60,00 | 66,94 | 76,39 |
| 21 | TRK 87 | Tee-pipe | 21,94 | 23,06 | 24,72 | 26,39 | 28,33 | 32,20 | 33,89 | 36,11 | 43,61 | 45,83 | 57,78 | 86,67 | 105,28 | 118,06 | 149,17 |
| 22 | TRKR | Tee-pipe | 21,39 | 22,78 | 24,72 | 25,83 | 27,78 | 31,67 | 33,06 | 35,56 | 43,06 | 58,33 | 75,56 | 107,50 | 130,56 | 160,83 | 188,89 |

| Single-wall system MKS/MKKS Accessories | | | | | | | | | | | | | | | | | |
|---|----------------------|-----------------------------------|--|--------|--------|-------|--------|--------|--------|--------|-------|-------|--------|--------|--------|--------|--------|
| Symbol | Item name / diameter | Ø 113 | Ø 120 | Ø 130 | Ø 140 | Ø 150 | Ø 160 | Ø 180 | Ø 200 | Ø 225 | Ø 250 | Ø 300 | Ø 350 | Ø 400 | Ø 450 | Ø 500 | |
| 1 | A | Pipe cover | 11,94* | 11,94* | 12,22* | 12,22 | 12,50* | 15,83* | 18,06* | 21,67* | 31,39 | 36,11 | 51,39 | 62,22 | 77,22 | 116,39 | 138,33 |
| 2 | AD W | Deflector | 26,39 | 27,22 | 28,89 | 31,11 | 34,44 | 37,78 | 45,56 | 52,22 | 67,78 | 90,00 | 112,78 | - | - | - | - |
| 3 | AH | Stabilizer | 5,00* | 5,28* | 5,28* | 5,28 | 5,56* | 5,56* | 5,83* | 5,83* | 6,11 | 7,78 | 8,33 | 8,89 | 9,44 | 10,00 | 10,56 |
| 4 | DHKK | Roof plate | 38,06 | 40,28 | 42,50 | 44,44 | 46,11 | 47,50 | 49,44 | 51,39 | 54,72 | 63,33 | 71,39 | 80,00 | 90,28 | 99,72 | 110,83 |
| 5 | DHS | Roof plate with aeration | 21,39* | 21,94* | 22,78* | 23,89 | 24,72* | 25,83* | 27,78* | 29,72* | 32,50 | 43,06 | - | - | - | - | - |
| 6 | IP | Flange | 9,44* | 9,44* | 10,00* | 10,28 | 12,78* | 13,61* | 14,17* | 14,72* | 15,56 | 16,67 | 17,50 | 20,56 | 23,89 | 27,50 | 31,39 |
| 7 | K | Cleanout door | Cleanout door 120x180- 6,4 :Cleanout door 200x300- 11,1* | | | | | | | | | | | | | | |
| 8 | OB | Pipe clamp | 6,11 | 6,11 | 6,11 | 6,11 | 6,39* | 6,94 | 7,22 | 7,22 | 7,22 | 7,78 | 8,89 | 9,72 | 10,83 | 11,94 | 13,06 |
| 9 | OBM | Clamp | 7,22 | 7,50 | 8,33 | 8,61 | 9,44* | 9,44 | 10,55 | 10,83 | - | - | - | - | - | - | - |
| 10 | OW | Inserted cover | 7,22 | 7,78 | 8,33 | 8,89 | 9,44 | 10,00 | 11,11 | 12,50 | - | - | - | - | - | - | - |
| 11 | PDI 0 | Roof flashing MKS 0° - 5° | 27,78 | 28,89 | 30,00 | 31,67 | 33,89* | 34,44 | 36,39 | 37,22 | 42,50 | 46,39 | 52,78 | 59,44 | 69,17 | 77,78 | 88,33 |
| 12 | PDI 15 | Roof flashing MKS 5° - 20° | 31,39 | 32,22 | 33,33 | 35,00 | 37,78* | 37,78 | 39,72 | 40,56 | 45,83 | 50,56 | 57,22 | 63,61 | 71,94 | 83,61 | 96,39 |
| 13 | PDI 30 | Roof flashing MKS 20° - 35° | 33,89 | 34,44 | 35,83 | 37,50 | 39,44* | 42,22 | 44,72 | 45,28 | 51,94 | 57,22 | 69,72 | 87,78 | 100,83 | 107,22 | 126,11 |
| 14 | PDI 45 | Roof flashing MKS 35° - 40° | 43,61 | 45,56 | 47,50 | 49,44 | 51,39* | 58,06 | 63,06 | 66,94 | 77,22 | 88,06 | 97,78 | 119,72 | 125,56 | 136,39 | 145,56 |
| 15 | RKP | Rain flange | 11,11 | 11,11 | 11,67 | 11,94 | 12,50* | 12,78 | 13,61 | 14,44 | 15,56 | 20,00 | 23,06 | 26,67 | 30,28 | 34,44 | 38,61 |
| 16 | Z+DR | Cleanout extension + door 120x180 | L 100-41,67; L 150- 44,44; L 250-52,78 | | | | | | | | | | | | | | |
| 17 | DR | Door 120X180 | 26,94* | | | | | | | | | | | | | | |
| 18 | RCO | Round draught adujster | 60,28* | | | | | | | | | | | | | | |
| 19 | UKK | Gasket | 1,94* | 1,94* | 1,94* | 2,22* | 2,22* | 2,22* | 2,50* | 2,78* | 3,06* | 3,33* | 3,89* | 4,44* | 5,83* | 6,94* | 7,50* |

* Elements available in stock Prices in EUR without tax
 ** The symbol of the element is made by inserting diameter into XX place. F.ex. Raincap A diameter 150 – symbol 0A150.
 The remaining elements not mentioned in the price list are subject to individual quotation after receiving appropriate information from the customer.

Example of instalation



MKD Standard System

Best prices in good quality

CE 0432-BPR-I19972
 EN 1856-I T600-NI-D-V2-L99050-G50
 EN 1856-I T600-NI-W-V2-L99050-O50

Technical data:
 Working conditions: Underpressure
 Core pipe material: steel I.452I
 Jacket pipe material: steel I.4509
 Working temperature: up to 600°C
 Workig pressure: NI (40 Pa)
 Kind of fuel: natural gas, oil (sulphur content <0,2% of weight)
 Technology of connections: welding, spot welding

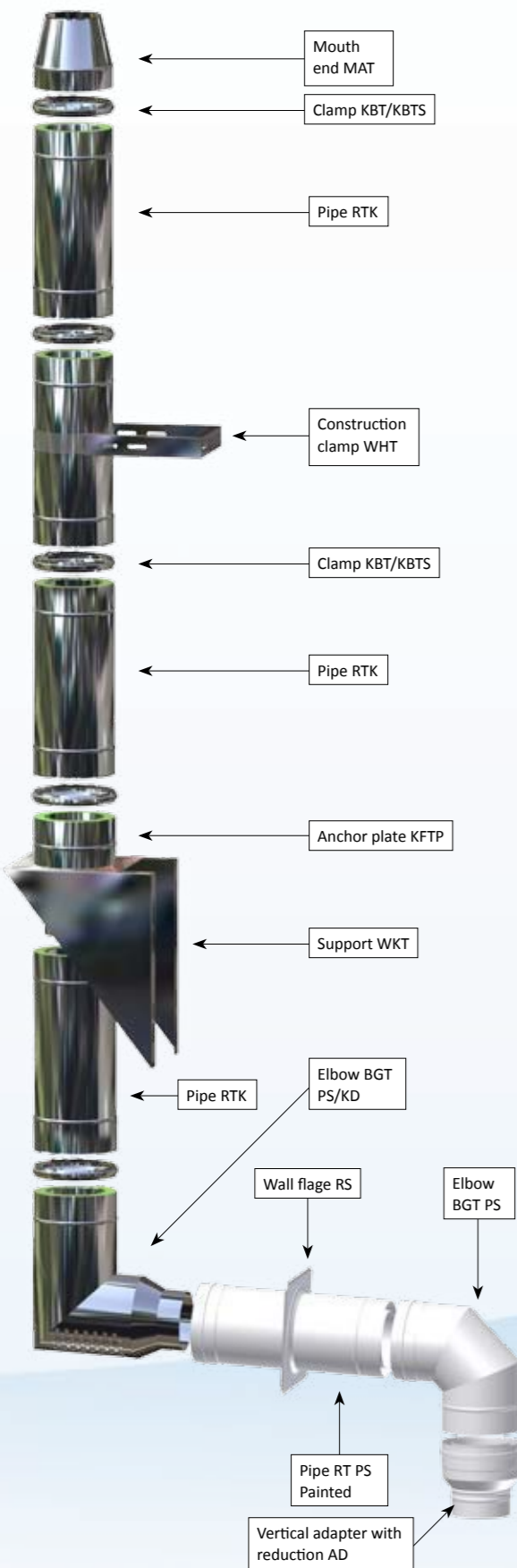


| Doublewall system MKD STANDARD | | | | | | | | | | | | | | | | | |
|--------------------------------|-----------------|--------------------------------|---|--------|--------|--------|--------|--------|--------|--------|--------|---------|---------|--------|--------|--------|--------|
| l.p. | Symbol | Item name / diameter | Ø 113 | Ø 120 | Ø 130 | Ø 140 | Ø 150 | Ø 160 | Ø 180 | Ø 200 | Ø 225 | Ø 250 | Ø 300 | Ø 350 | Ø 400 | Ø 450 | Ø 500 |
| 1 | AFTS 45 | Tee-pipe 45° | 58,33 | 61,11* | 64,72* | 70,28 | 75,00* | 79,72* | 92,78* | 98,33* | 118,06 | 149,72* | 190,28* | 287,22 | 295,00 | 339,17 | 489,17 |
| 2 | AFTS 90 | Tee-pipe 90° | 52,50 | 54,72* | 57,50* | 60,00 | 62,50* | 67,50* | 73,33* | 81,11* | 92,50 | 102,78* | 132,50* | 177,50 | 202,50 | 237,22 | 347,22 |
| 3 | AFTSR 90 | Tee-pipe 90° | when tee-pipe outlet >dn, price AFTS+ RD MKD; when tee-pipe outlet <dn price AFTS + 10% | | | | | | | | | | | | | | |
| 5 | AT L1000 | Pipe | 46,94 | 48,89* | 52,22* | 54,72 | 58,06* | 62,50* | 67,78* | 75,83* | 81,94 | 92,50* | 116,11* | - | - | - | - |
| 6 | AT L500 | Pipe | 29,17 | 30,28* | 32,22* | 34,44 | 36,67* | 38,89* | 42,78* | 47,22* | 53,61 | 59,44* | 66,39* | - | - | - | - |
| 7 | BGR 90 | Elbow 90° with inspection door | 55,83 | 58,33 | 61,94 | 70,56 | 73,06 | 75,00 | 83,06 | 88,06 | 104,72 | 118,61 | 143,06 | 166,39 | 196,11 | 225,56 | 290,83 |
| 8 | BGT 15 | Elbow 15° | 35,00 | 35,00 | 35,28 | 39,17 | 41,67 | 44,17 | 48,33 | 53,06 | 56,39 | 61,67 | 70,00 | 90,00 | 104,17 | 117,50 | 152,22 |
| 9 | BGT 30 | Elbow 30° | 35,56 | 35,83* | 36,67* | 40,83 | 43,06* | 46,11* | 51,67* | 56,67* | 63,61 | 70,56* | 80,56* | 94,44 | 116,94 | 141,67 | 169,44 |
| 10 | BGT 45 | Elbow 45° | 38,33 | 38,61* | 39,17* | 43,06 | 46,11* | 48,61* | 53,06* | 58,33* | 66,39 | 72,22* | 83,06* | 101,39 | 137,78 | 141,67 | 177,22 |
| 11 | BGT 90 | Elbow 90° | 46,39 | 46,94* | 48,89* | 53,33 | 56,94* | 58,06* | 62,50* | 70,28* | 83,33 | 105,56* | 128,89* | 143,89 | 165,28 | 191,94 | 265,83 |
| 12 | DS | Cover | 14,17 | 15,28 | 16,11 | 17,22 | 18,06 | 19,17 | 21,11 | 23,61 | 26,39 | 29,72 | 38,06 | 42,78 | 50,00 | 60,56 | 66,11 |
| 13 | KFS | Anchor plate | 32,50 | 33,33 | 34,17 | 36,11 | 36,94 | 39,72 | 43,33 | 47,78 | 57,78 | 66,67 | 83,33 | 97,22 | 113,89 | 130,83 | 148,61 |
| 14 | KFT | Anchor plate | 26,67 | 27,78* | 29,44* | 31,39 | 33,61* | 35,83* | 39,72* | 42,78* | 43,89 | 55,83* | 64,44* | 75,56 | 90,56 | 111,39 | 127,78 |
| 15 | KFTP | Anchor plate | 25,56 | 26,39* | 26,94* | 27,78 | 29,44* | 31,67* | 34,44* | 39,72* | 43,89 | 50,56* | 61,39* | 73,06 | 90,00 | 103,61 | 117,50 |
| 16 | KFTS | Anchor plate | 23,33 | 24,17 | 25,83 | 27,22 | 29,17 | 30,83 | 33,89 | 37,50 | 40,83 | 47,78 | 57,78 | 66,94 | 79,44 | 86,11 | 97,22 |
| 17 | POT | Cleanout | 72,22 | 73,89* | 76,11* | 77,78 | 80,00* | 83,61* | 87,22* | 96,39* | 101,94 | 110,83* | 187,22* | 191,39 | 205,83 | 219,17 | 231,94 |
| 18 | PZO | Pipe with round adjustment | - | - | 115,00 | 117,22 | 119,72 | 121,94 | 124,44 | 131,11 | 136,11 | 145,83 | - | - | - | - | - |
| 19 | RD MKD | Reduction | - | 33,89 | 33,89 | 37,50 | 39,17 | 41,39 | 44,72 | 44,72 | 55,56 | 60,56 | 74,72 | 95,00 | 108,89 | 128,61 | 178,61 |
| 20 | RD MKD-MKS | Reduction | Reduction MKD price minus 10 % | | | | | | | | | | | | | | |
| 21 | RT L1000 | Pipe L 1000 | 46,94 | 48,89* | 52,22* | 54,72 | 58,06* | 62,50* | 67,78* | 75,83* | 81,94 | 92,50* | 116,11* | 141,94 | 165,56 | 186,94 | 206,94 |
| 22 | RT L250 | Pipe L 250 | 17,22 | 18,06* | 18,33* | 19,44 | 20,83* | 21,94* | 24,17* | 26,39* | 30,28 | 33,61* | 41,94* | 49,44 | 57,78 | 63,61 | 71,39 |
| 23 | RT L500 | Pipe L 500 | 29,17 | 30,28* | 32,22* | 34,44 | 36,67* | 38,89* | 42,78* | 47,22* | 53,61 | 59,44* | 66,39* | 78,33 | 91,39 | 106,11 | 119,44 |
| 24 | RTJ | Telescopic pipe | 42,22 | 43,89 | 46,39 | 49,44 | 52,50 | 55,28 | 60,56 | 66,67 | 71,67 | 83,89 | 110,28 | 127,22 | 149,17 | 169,17 | 190,28 |
| 25 | RTM 1/2"x1 L250 | Pipe wth connection | 30,28 | 31,11 | 31,39 | 32,50 | 33,89 | 35,00 | 37,22 | 39,44 | 43,33 | 46,67 | 55,00 | 62,50 | 70,83 | 76,67 | 84,44 |
| 26 | RTM 64x4x1 L250 | Pipe with connection | 92,78 | 93,61 | 93,89 | 95,00 | 96,39 | 97,50 | 99,72 | 101,94 | 105,83 | 109,17 | 117,50 | 125,00 | 133,33 | 139,17 | 146,94 |

| Accessories MKD/MKKD | | | | | | | | | | | | | | | | | |
|----------------------|---------|--------------------------------|---|--------|--------|--------|--------|--------|--------|--------|--------|--------|---------|--------|--------|--------|--------|
| l.p. | Symbol | Item name / diameter | Ø 113 | Ø 120 | Ø 130 | Ø 140 | Ø 150 | Ø 160 | Ø 180 | Ø 200 | Ø 225 | Ø 250 | Ø 300 | Ø 350 | Ø 400 | Ø 450 | Ø 500 |
| 1 | DDT 0 | Roof flashing 0° - 5° | 20,56 | 21,11* | 22,22* | 23,33 | 23,89* | 25,28* | 26,39* | 28,89* | 31,67 | 38,61* | 51,39* | 59,44 | 65,00 | 73,61 | 81,94 |
| 2 | DDT 15 | Roof flashing 5° - 20° | 22,50 | 23,89* | 25,56* | 27,22 | 27,78* | 28,39* | 30,00* | 32,22* | 35,28 | 43,17* | 56,11* | 63,61 | 68,89 | 76,11 | 92,22 |
| 3 | DDT 30 | Roof flashing 20° - 35° | 25,28 | 26,11* | 27,22* | 28,61 | 30,00* | 30,33* | 35,00* | 37,50* | 41,94 | 52,22* | 67,50* | 77,22 | 73,61 | 105,28 | 131,11 |
| 4 | DDT 45 | Roof flashing 35° - 50° | 34,72 | 36,39 | 38,61* | 40,28 | 42,78* | 44,14* | 48,33* | 53,33* | 59,72 | 66,11* | 104,44* | 104,72 | 108,33 | 171,11 | 203,06 |
| 5 | DDTO 15 | Roof flashing 5° - 20° | 73,61 | 75,00 | 76,39 | 78,33 | 79,72 | 80,00 | 85,28 | 86,67 | 96,39 | 100,00 | 123,61 | 127,50 | 142,22 | - | - |
| 6 | DDTO 30 | Roof flashing 20° - 35° | 84,72 | 86,11 | 87,78 | 90,28 | 91,39 | 92,22 | 98,06 | 100,00 | 110,56 | 114,72 | 142,22 | 144,72 | - | - | - |
| 7 | DDTO 45 | Roof flashing 35° - 50° | 101,67 | 103,61 | 105,56 | 108,33 | 110,00 | 110,56 | 117,78 | 119,72 | 132,78 | 137,78 | - | - | - | - | - |
| 8 | DFT | Ceiling sleeve | 26,11 | 27,22 | 28,33 | 29,72 | 30,83 | 32,22 | 35,00 | 37,78 | 41,39 | 45,28 | 53,33 | 66,67 | - | 86,11 | 96,94 |
| 9 | END | End cover | 8,33 | 9,44* | 11,11* | 12,50 | 14,17* | 15,56* | 16,94* | 18,33* | 19,44 | 21,11* | 22,78* | 24,44 | 26,39 | 28,61 | 37,50 |
| 10 | KBS | Reinforced clamp | 18,61 | 18,61* | 18,61* | 18,89 | 19,44* | 19,72* | 20,56 | 21,39* | 22,50 | 23,89* | 26,39* | 28,89 | 31,11 | 33,61 | 35,83 |
| 11 | KBSO | Reinforced clamp for guy ropes | 21,39 | 21,67 | 22,78 | 23,33 | 24,17 | 24,72 | 25,56 | 26,39 | 27,22 | 29,17 | 30,56 | 32,22 | 34,44 | 40,00 | 46,94 |
| 12 | KBT | Pipe clamp | 6,11 | 6,11* | 6,11* | 6,11 | 6,11* | 6,11* | 6,11* | 6,39* | 6,39 | 7,78* | 8,89* | 9,72 | 10,83 | 11,94 | 13,06 |
| 13 | KBTS | Pipe clamp | 11,11 | 11,11* | 11,39* | 11,67 | 11,67* | 11,94* | 12,22* | 12,50 | 12,78 | 13,06* | 13,89* | 14,44 | 15,28 | 15,83 | 16,94 |
| 14 | MAT | Mouth-end | 21,67 | 22,78* | 24,72* | 26,11 | 29,17* | 30,83* | 32,22* | 35,00* | 41,11 | 44,44* | 51,67* | 58,33 | 68,61 | 76,11 | 99,17 |
| 15 | RHT WM | Pipe cover | 11,94 | 12,22 | 12,22 | 12,78 | 13,33 | 14,72 | 16,94 | 20,28 | 24,72 | 35,28 | 48,06 | 60,83 | 71,39 | 107,50 | 126,94 |
| 16 | RHTS | Pipe cover | 17,50 | 17,50* | 18,33* | 19,44 | 20,56* | 21,94* | 23,33* | 25,56* | 35,28 | 48,06* | 62,78* | 80,00 | 91,39 | 136,67 | 158,06 |
| 17 | RKT | Rain Flange | 10,83 | 11,11* | 12,22* | 12,50 | 13,06* | 13,61* | 14,17* | 16,39* | 18,06 | 19,44* | 23,06* | 26,94 | 33,89 | 37,50 | 42,78 |
| 18 | SBK | Fixing clamp | 11,94 | 11,94 | 12,22 | 12,50 | 13,06 | 13,06 | 13,61 | 14,17 | 14,72 | 18,06 | 19,17 | 21,11 | 22,22 | 23,06 | 24,72 |
| 19 | SBT | Fixing clamp | 14,72 | 15,00 | 15,28 | 15,83 | 16,11 | 16,67 | 17,22 | 18,06 | 18,89 | 20,00 | 20,83 | - | - | - | - |
| 20 | SFT | Pipe base | 37,22 | 38,61 | 40,83 | 43,06 | 45,28 | 47,78 | 52,50 | 58,06 | 70,56 | 81,94 | 93,89 | 109,17 | 125,28 | 141,67 | 158,89 |
| 21 | SRT | Flue support | 34,17 | 34,44 | 34,72 | 35,00 | 35,00 | 35,28 | 35,56 | 36,11 | 36,67 | 37,22 | 42,50 | 46,94 | 48,61 | 52,78 | 58,61 |
| 22 | WBT | Wall end | 10,00 | 10,00* | 10,83* | 11,67 | 12,50* | 13,33* | 13,89* | 15,56* | 16,67 | 18,06* | 19,17* | 20,83 | 22,22 | 24,44 | 27,22 |
| 23 | WHT 1 | Adjustable construction clamp | 19,17 | 19,17* | 20,56* | 21,11 | 21,67* | 22,22* | 23,06* | 23,61* | 24,72 | 25,56* | 29,44* | 32,50 | 38,33 | 43,61 | 53,06 |
| 24 | WHT 2 | Adjustable construction clamp | 28,33 | 28,89* | 30,83* | 32,22 | 33,33* | 34,17* | 35,28* | 36,39* | 40,28 | 41,94* | 44,17* | 46,39 | 49,72 | 53,61 | 65,28 |
| 25 | WHT 3 | Adjustable construction clamp | 34,17 | 34,44* | 35,56* | 36,11 | 38,06* | 38,61* | 39,17* | 43,33* | 45,83 | 47,78* | 49,72* | 53,61 | 62,78 | 68,61 | 83,06 |
| 26 | WKT 1 | Support | 30,83 | 31,11* | 31,67* | 32,22 | 36,11* | 37,50* | 41,11* | 44,44* | 48,89 | 53,33* | 69,44* | 82,50 | 96,39 | 109,17 | 216,11 |
| 27 | WKT 2 | Support | 35,00 | 36,11* | 37,22* | 38,89 | 42,50* | 44,17* | 47,50* | 50,83* | 55,28 | 60,00* | 82,50* | 99,44 | 113,89 | 129,17 | 145,83 |
| 28 | WKT 3 | Support | 48,61 | 50,28* | 51,39* | 53,33 | 58,89* | 60,83* | 71,94* | 76,39* | 82,22 | 88,61* | 101,39* | 141,11 | 158,06 | 176,39 | 195,56 |
| 29 | WS | Support | L235-47,50; L435-55,00 | | | | | | | | | | | | | | |
| 30 | WSP | Support | L 570- 67,50; L 630- 70,00; L 720- 73,33; L820- 83,61; L 120- 93,89 | | | | | | | | | | | | | | |
| 31 | UKK | Gasket | 1,94* | 1,94* | 1,94* | 2,22* | 2,22* | 2,22* | 2,50* | 2,78* | 3,06* | 3,33* | 3,89* | 4,44* | 5,83* | 6,94* | 7,50* |

* - Elements available in stock Prices in EUR without tax
 ** The symbol of the element is made by inserting diameter into XX place. F.ex. Raincap A diameter 150 – symbol 0A150.
 The remaining elements not mentioned in the price list are subject to individual quotation after receiving appropriate information from the customer.

Example of installation



MKKD Standard System

Best prices in good quality

CE-0432-BPR-119970
 EN 1856-1 T200-HI-W-V2-L99050-O20
 EN 1856-1 T600-NI-W-V2-L99050-O50
 EN 1856-1 T600-NI-D-V2-L99050-G50

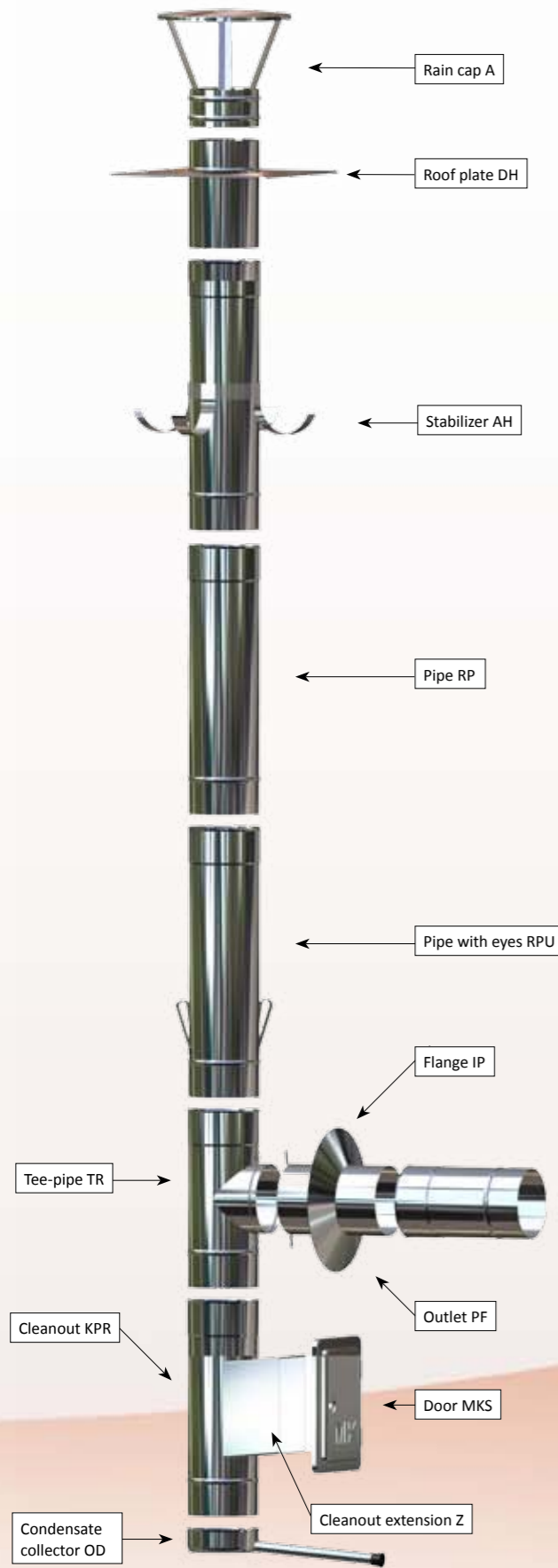
Technical data:
 Working conditions: Underpressure, Overpressure
 Core pipe material: steel I.452I
 Jacket pipe material: steel I.4509
 Working temperature: up to 600°C, with gasket up to 200°C
 Workig pressure: NI (40 Pa), with gasket HI (5000 Pa)
 Kind of fuel: natural gas, oil (sulphur content <0,2% of weight)
 Technology of connections: welding, spot welding



| Doublewall system MKKD STANDARD | | | | | | | | | | | | | | | | | | | |
|---------------------------------|------------------|--|---|-------|-------|-------|-------|-------|-------|-------|--------|--------|--------|--------|--------|--------|--------|--------|--------|
| I.p. | Symbol | Item name / diameter | Ø 80 | Ø 100 | Ø 113 | Ø 120 | Ø 130 | Ø 140 | Ø 150 | Ø 160 | Ø 180 | Ø 200 | Ø 225 | Ø 250 | Ø 300 | Ø 350 | Ø 400 | Ø 450 | Ø 500 |
| 1 | AFKS 45 | Tee-pipe 45° | 52,50 | 58,33 | 60,00 | 63,06 | 66,67 | 72,50 | 77,22 | 82,22 | 95,56 | 101,39 | 121,67 | 154,17 | 196,11 | 295,83 | 303,89 | 349,44 | 532,50 |
| 2 | AFKS 87 | Tee-pipe 87° | 38,06 | 41,94 | 54,17 | 56,39 | 59,17 | 61,67 | 64,44 | 69,44 | 75,56 | 83,61 | 95,28 | 105,83 | 136,39 | 182,78 | 208,61 | 244,44 | 357,78 |
| 3 | AFKSR 87 | Tee-pipe 87° | when tee-pipe outlet>dn, price AFTS+ RD MKD;when tee-pipe outlet <dn price AFTS + 10% | | | | | | | | | | | | | | | | |
| 4 | BGK 15 | Elbow 15° | 27,78 | 30,00 | 36,11 | 36,11 | 36,39 | 40,28 | 43,06 | 45,56 | 49,72 | 54,72 | 58,06 | 63,61 | 72,22 | 92,78 | 107,22 | 121,11 | 156,67 |
| 5 | BGK 30 | Elbow 30° | 27,78 | 30,00 | 36,67 | 36,94 | 37,78 | 41,94 | 44,44 | 46,67 | 53,33 | 58,33 | 65,56 | 72,78 | 83,06 | 97,22 | 120,56 | 145,83 | 174,44 |
| 6 | BGK 45 | Elbow 45° | 29,72 | 32,50 | 39,44 | 39,72 | 40,28 | 44,44 | 47,50 | 50,00 | 54,72 | 60,00 | 68,33 | 74,44 | 85,56 | 104,44 | 141,94 | 145,83 | 182,50 |
| 7 | BGK 93 | Elbow 93° | 36,67 | 42,78 | 47,78 | 48,33 | 50,28 | 55,00 | 58,61 | 59,72 | 64,44 | 72,50 | 85,83 | 108,61 | 132,78 | 148,33 | 170,28 | 197,78 | 273,89 |
| 8 | BGRK 93 | Elbow 93° with inspection door | 42,50 | 48,33 | 48,33 | 48,89 | 50,28 | 57,78 | 60,83 | 61,94 | 68,06 | 74,44 | 92,50 | 110,28 | 132,78 | 144,17 | 167,22 | 191,11 | 235,28 |
| 9 | GBKK 93 | Elbow 93° with inspection door | 42,50 | 48,33 | 48,33 | 48,89 | 50,28 | 57,78 | 60,83 | 61,94 | 68,06 | 74,44 | 92,50 | 110,28 | 132,78 | 144,17 | 167,22 | 191,11 | 235,28 |
| 10 | GBSK 93 | Elbow 93° with inspection door and support | 45,00 | 51,39 | 52,50 | 54,44 | 57,50 | 61,39 | 68,06 | 68,89 | 76,11 | 84,17 | 95,83 | 102,22 | 142,78 | 165,28 | 192,78 | 210,00 | 252,50 |
| 11 | KFKP | Anchor plate | 19,72 | 21,94 | 25,56 | 26,39 | 26,94 | 27,78 | 29,44 | 31,67 | 34,44 | 39,72 | 43,89 | 50,56 | 64,72 | 76,67 | 90,00 | 103,61 | 117,50 |
| 12 | KFKS | Anchor plate | 21,67 | 23,89 | 26,67 | 27,78 | 29,44 | 31,39 | 33,61 | 35,83 | 39,72 | 42,78 | 43,89 | 55,83 | 64,44 | 75,56 | 90,56 | 111,39 | 127,78 |
| 13 | KFSK | Anchor plate | 24,72 | 28,06 | 32,50 | 33,33 | 34,17 | 36,11 | 36,94 | 39,72 | 43,33 | 47,78 | 57,78 | 66,67 | 83,33 | 97,22 | 113,89 | 130,83 | 148,61 |
| 14 | PATK | Cleanout | 46,39 | 48,61 | 50,56 | 51,39 | 53,06 | 65,00 | 66,39 | 68,33 | 70,28 | 80,00 | 85,56 | 96,39 | 120,00 | 128,61 | 141,94 | 165,28 | 175,00 |
| 15 | RD MKKD | Reduction | 36,94 | 36,94 | 38,06 | 41,94 | 45,56 | 50,28 | 53,61 | 60,56 | 73,33 | 83,06 | 93,06 | 113,06 | 122,22 | 173,06 | 182,22 | 190,83 | |
| 16 | RKJ | Telescopic pipe | 42,22 | 48,06 | 48,89 | 50,28 | 53,33 | 56,67 | 60,28 | 63,89 | 70,56 | 77,78 | 82,78 | 98,06 | 116,94 | 135,28 | 159,17 | 181,11 | 204,44 |
| 17 | RTK L1000 | Pipe L 1000 | 37,78 | 44,44 | 48,33 | 50,28 | 53,89 | 56,39 | 59,72 | 64,44 | 69,72 | 78,06 | 84,44 | 95,28 | 119,72 | 146,11 | 170,56 | 192,50 | 213,06 |
| 18 | RTK L250 | Pipe L 250 | 13,06 | 17,22 | 17,78 | 18,61 | 18,89 | 20,00 | 21,39 | 22,50 | 25,00 | 27,22 | 31,11 | 34,72 | 43,33 | 50,83 | 57,78 | 65,56 | 73,61 |
| 19 | RTK L500 | Pipe L 500 | 24,17 | 27,50 | 30,00 | 31,11 | 33,06 | 35,56 | 37,78 | 40,00 | 44,17 | 48,61 | 55,28 | 61,11 | 68,33 | 80,56 | 94,17 | 109,17 | 123,06 |
| 20 | RTKM 1/2"x1 L250 | Pipe with connection | 26,11 | 30,28 | 30,83 | 31,67 | 31,94 | 33,06 | 34,44 | 35,56 | 38,06 | 40,28 | 44,17 | 47,78 | - | 63,89 | 70,83 | 86,11 | 86,67 |
| 21 | RTKM 64x4x1 L250 | Pipe with connection | - | - | 93,33 | 94,17 | 94,44 | 95,56 | 96,94 | 98,06 | 100,56 | 102,78 | 106,67 | 110,28 | 118,89 | 126,39 | 133,33 | 141,11 | 149,17 |

| Accessories MKD/MKKD | | | | | | | | | | | | | | | | | | | |
|----------------------|---------|--------------------------------|---|-------|--------|--------|--------|--------|--------|--------|--------|--------|--------|--------|---------|--------|--------|--------|--------|
| I.p. | Symbol | Item name / diameter | Ø 80 | Ø 100 | Ø 113 | Ø 120 | Ø 130 | Ø 140 | Ø 150 | Ø 160 | Ø 180 | Ø 200 | Ø 225 | Ø 250 | Ø 300 | Ø 350 | Ø 400 | Ø 450 | Ø 500 |
| 1 | DDT 0 | Roof flashing 0° - 5° | 17,50 | 19,40 | 20,60 | 21,1* | 22,22* | 23,33 | 23,89* | 25,28* | 26,39* | 28,89* | 31,67 | 38,61* | 51,39* | 59,44 | 65,00 | 73,61 | 81,94 |
| 2 | DDT 15 | Roof flashing 5° - 20° | 19,20 | 21,40 | 22,50 | 23,89* | 25,56* | 27,22 | 27,78* | 28,39* | 30,00* | 32,22* | 35,28 | 43,17* | 56,11* | 63,61 | 68,89 | 76,11 | 92,22 |
| 3 | DDT 30 | Roof flashing 20° - 35° | 20,80 | 23,30 | 25,30 | 26,11* | 27,22* | 28,61 | 30,00* | 30,33* | 35,00* | 37,50* | 41,94 | 52,22* | 67,50* | 77,22 | 73,61 | 105,28 | 131,11 |
| 4 | DDT 45 | Roof flashing 35° - 50° | 28,90 | 32,20 | 34,70 | 36,39 | 38,61* | 40,28 | 42,78* | 44,14* | 48,33* | 53,33* | 59,72 | 66,11* | 104,44* | 104,72 | 108,33 | 171,11 | 203,06 |
| 5 | DDTO 15 | Roof flashing 5° - 20° | 55,60 | 67,50 | 73,60 | 75,00 | 76,39 | 78,33 | 79,72 | 80,00 | 85,28 | 86,67 | 96,39 | 100,00 | 123,61 | 127,50 | 142,22 | - | - |
| 6 | DDTO 30 | Roof flashing 20° - 35° | 66,40 | 81,10 | 84,70 | 86,11 | 87,78 | 90,28 | 91,39 | 92,22 | 98,06 | 100,00 | 110,56 | 114,72 | 142,22 | 144,72 | - | - | - |
| 7 | DDTO 45 | Roof flashing 35° - 50° | 79,70 | 97,50 | 101,70 | 103,61 | 105,56 | 108,33 | 110,00 | 110,56 | 117,78 | 119,72 | 132,78 | 137,78 | - | - | - | - | - |
| 8 | DFT | Ceiling sleeve | - | - | 26,10 | 27,22 | 28,33 | 29,72 | 30,83 | 32,22 | 35,00 | 37,78 | 41,39 | 45,28 | 53,33 | 66,67 | - | 86,11 | 96,94 |
| 9 | END | End cover | - | - | 8,30 | 9,44* | 11,11* | 12,50 | 14,17* | 15,56* | 16,94* | 18,33* | 19,44 | 21,11* | 22,78* | 24,44 | 26,39 | 28,61 | 37,50 |
| 10 | KBS | Reinforced clamp | - | - | 18,60 | 18,61* | 18,61* | 18,89 | 19,44* | 19,72* | 20,56 | 21,39* | 22,50 | 23,89* | 26,39* | 28,89 | 31,11 | 33,61 | 35,83 |
| 11 | KBSO | Reinforced clamp for guy ropes | - | - | 21,40 | 21,67 | 22,78 | 23,33 | 24,17 | 24,72 | 25,56 | 26,39 | 27,22 | 29,17 | 30,56 | 32,22 | 34,44 | 40,00 | 46,94 |
| 12 | KBT | Pipe clamp | 6,10 | 6,10 | 6,10 | 6,11* | 6,11* | 6,11 | 6,11* | 6,11* | 6,11* | 6,39* | 6,39 | 7,78* | 8,89* | 9,72 | 10,83 | 11,94 | 13,06 |
| 13 | KBTS | Pipe clamp | 10,30 | 10,80 | 11,10 | 11,11* | 11,39* | 11,67 | 11,67* | 11,94* | 12,22* | 12,50 | 12,78 | 13,06* | 13,89* | 14,44 | 15,28 | 15,83 | 16,94 |
| 14 | MAT | Mouth-end | 17,20 | 21,40 | 21,70 | 22,78* | 24,72* | 26,11 | 29,17* | 30,83* | 32,22* | 35,00* | 41,11 | 44,44* | 51,67* | 58,33 | 68,61 | 76,11 | 99,17 |
| 15 | RHT WM | Pipe cover | 11,90 | 11,90 | 11,9 | 12,22 | 12,22 | 12,78 | 13,33 | 14,72 | 16,94 | 20,28 | 24,72 | 35,28 | 48,06 | 60,83 | 71,39 | 107,50 | 126,94 |
| 16 | RHTS | Pipe cover | 16,10 | 16,90 | 17,50 | 17,50* | 18,33* | 19,44 | 20,56* | 21,94* | 23,33* | 25,56* | 35,28 | 48,06* | 62,78* | 80,00 | 91,39 | 136,67 | 158,06 |
| 17 | RKT | Rain Flange | 10,00 | 10,60 | 10,80 | 11,11* | 12,22* | 12,50 | 13,06* | 13,61* | 14,17* | 16,39* | 18,06 | 19,44* | 23,06* | 26,94 | 33,89 | 37,50 | 42,78 |
| 18 | SBK | Fixing clamp | 11,40 | 11,90 | 11,90 | 11,94 | 12,22 | 12,50 | 13,06 | 13,06 | 13,61 | 14,17 | 14,72 | 18,06 | 19,17 | 21,11 | 22,22 | 23,06 | 24,72 |
| 19 | SBT | Fixing clamp | - | - | 14,70 | 15,00 | 15,28 | 15,83 | 16,11 | 16,67 | 17,22 | 18,06 | 18,89 | 20,00 | 20,83 | - | - | - | - |
| 20 | SFT | Pipe base | 27,50 | 34,20 | 37,20 | 38,61 | 40,83 | 43,06 | 45,28 | 47,78 | 52,50 | 58,06 | 70,56 | 81,94 | 93,89 | 109,17 | 125,28 | 141,67 | 158,89 |
| 21 | SRT | Flue support | - | - | 34,20 | 34,44 | 34,72 | 35,00 | 35,00 | 35,28 | 35,56 | 36,11 | 36,67 | 37,22 | 42,50 | 46,94 | 48,61 | 52,78 | 58,61 |
| 22 | WBT | Wall end | 9,20 | 9,40 | 10,00 | 10,00* | 10,83* | 11,67 | 12,50* | 13,33* | 13,89* | 15,56* | 16,67 | 18,06* | 19,17* | 20,83 | 22,22 | 24,44 | 27,22 |
| 23 | WHT 1 | Adjustable construction clamp | 18,30 | 18,90 | 19,20 | 19,17* | 20,56* | 21,11 | 21,67* | 22,22* | 23,06* | 23,61* | 24,72 | 25,56* | 29,44* | 32,50 | 38,33 | 43,61 | 53,06 |
| 24 | WHT 2 | Adjustable construction clamp | 22,20 | 25,80 | 28,30 | 28,89* | 30,83* | 32,22 | 33,33* | 34,17* | 35,28* | 36,39* | 40,28 | 41,94* | 44,17* | 46,39 | 49,72 | 53,61 | 65,28 |
| 25 | WHT 3 | Adjustable construction clamp | 25,60 | 29,40 | 34,20 | 34,44* | 35,56* | 36,11 | 38,06* | 38,61* | 39,17* | 43,33* | 45,83 | 47,78* | 49,72* | 53,61 | 62,78 | 68,61 | 83,06 |
| 26 | WKT 1 | Support | - | 30,80 | 30,80 | 31,11* | 31,67* | 32,22 | 36,11* | 37,50* | 41,11* | 44,44* | 48,89 | 53,33* | 69,44* | 82,50 | 96,39 | 109,17 | 216,11 |
| 27 | WKT 2 | Support | - | 32,50 | 35,00 | 36,11* | 37,22* | 38,89 | 42,50* | 44,17* | 47,50* | 50,83* | 55,28 | 60,00* | 82,50* | 99,44 | 113,89 | 129,17 | 145,83 |
| 28 | WKT 3 | Support | - | 48,60 | 48,60 | 50,28* | 51,39* | 53,33 | 58,89* | 60,83* | 71,94* | 76,39* | 82,22 | 88,61* | 101,39* | 141,11 | 158,06 | 176,39 | 195,56 |
| 29 | WS | Support | L235-47,50; L435-55,00 | | | | | | | | | | | | | | | | |
| 30 | WSP | Support | L 570- 67,50; L 630- 70,00; L 720- 73,33; L820- 83,61; L1120- 93,89 | | | | | | | | | | | | | | | | |
| 31 | UKK | Gasket | 1,10* | 1,40* | 1,94* | 1,94* | 1,94* | 2,22* | 2,22* | 2,22* | 2,50* | 2,78* | 3,06* | 3,33* | 3,89* | 4,44* | 5,83* | 6,94* | 7,50 |

Example of instalation



MKS Premium System

Best quality in good price

CE -0432-BPR-I 19969

EN 1856-2 T450-NI-D-V3-L50060-G

EN 1856-2 T450-NI-W-V2-L50060-O

EN 1856-2 T450-NI-D-V3-L50080-G

EN 1856-2 T450-NI-W-V2-L50080-O

Technical data:

Working conditions: Underpressure

Core pipe material: steel 1.4404

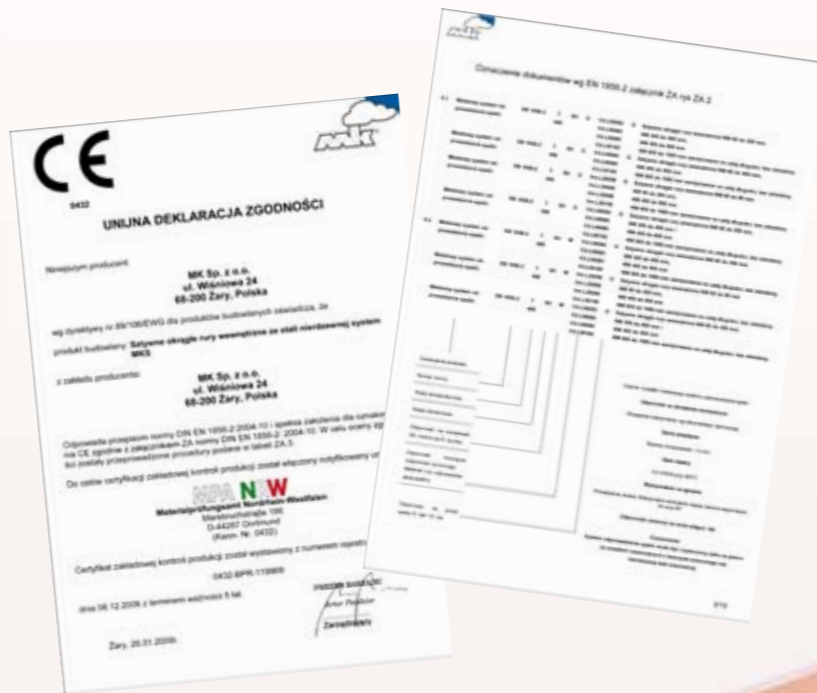
Working temperature: up to 450°C

Workig pressure: NI (40 Pa)

Kind of fuel: natural gas, oil (sulphur content <0,2% of weight)

Technology of connections: welding

MKS Oval Premium - conversion chart on the last page



| Outlet WPF | Ø 80 | Ø 100 | Ø 113 | Ø 120 | Ø 130 | Ø 140 | Ø 150 | Ø 160 | Ø 180 | Ø 200 | Ø 225 | Ø 250 |
|------------|-------|-------|-------|-------|-------|-------|-------|-------|-------|-------|-------|-------|
| Ø 80 | 12,78 | 12,78 | 12,78 | 14,17 | 14,17 | 16,94 | 16,94 | 21,94 | 24,72 | 27,50 | - | - |
| Ø 100 | 12,78 | 12,78 | 12,78 | 14,17 | 14,17 | 16,94 | 16,94 | 21,94 | 24,72 | 27,50 | - | - |
| Ø 113 | 12,78 | 12,78 | 14,17 | 14,17 | 14,17 | 16,94 | 16,94 | 21,94 | 24,72 | 27,50 | - | - |
| Ø 120 | 14,17 | 14,17 | 14,17 | 20,56 | 14,17 | 16,94 | 16,94 | 21,94 | 24,72 | 27,50 | - | - |
| Ø 130 | 14,17 | 14,17 | 14,17 | 14,17 | 16,94 | 16,94 | 16,94 | 21,94 | 24,72 | 27,50 | 35,56 | 42,22 |
| Ø 140 | 16,94 | 16,94 | 16,94 | 16,94 | 16,94 | 16,94 | 16,94 | 21,94 | 27,50 | 27,50 | 35,56 | 42,22 |
| Ø 150 | 16,94 | 16,94 | 16,94 | 16,94 | 16,94 | 16,94 | 21,94 | 21,94 | 24,72 | 27,50 | 35,56 | 42,22 |
| Ø 160 | 21,94 | 21,94 | 21,94 | 21,94 | 21,94 | 21,94 | 21,94 | 26,39 | 27,50 | 27,50 | 35,56 | 42,22 |
| Ø 180 | 24,72 | 24,72 | 24,72 | 24,72 | 24,72 | 24,72 | 24,72 | 24,72 | 35,56 | 35,56 | 35,56 | 42,22 |
| Ø 200 | 27,50 | 27,50 | 27,50 | 27,50 | 27,50 | 27,50 | 27,50 | 27,50 | 35,56 | 39,72 | 39,72 | 42,22 |
| Ø 225 | - | - | - | - | 35,56 | 35,56 | 35,56 | 35,56 | 39,72 | 39,72 | 42,22 | - |
| Ø 250 | - | - | - | - | 42,22 | 42,22 | 42,22 | 42,22 | 42,22 | 42,22 | 42,22 | 42,22 |

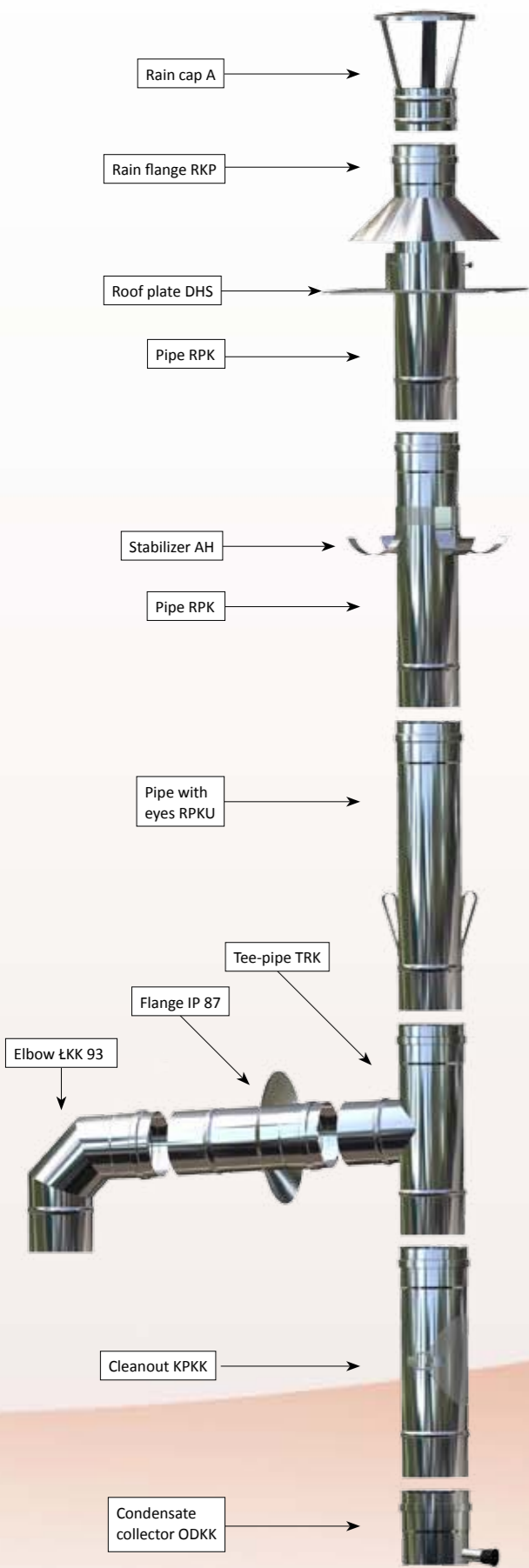
| Ip. | Symbol | Item name / diameter | Ø 100 | Ø 113 | Ø 120 | Ø 130 | Ø 140 | Ø 150 | Ø 160 | Ø 180 | Ø 200 | Ø 225 | Ø 250 | Ø 300 | Ø 350 | Ø 400 | Ø 450 | Ø 500 |
|-----|-----------|------------------------------------|------------------|--------|--------|--------|-------|--------|--------|--------|--------|-------|--------|--------|--------|--------|--------|--------|
| 1 | DH | Roof plate | 17,50 | 18,33 | 19,72 | 20,83 | 21,67 | 23,89 | 25,00 | 27,50 | 31,67 | 35,00 | 48,89 | 58,33 | 70,00 | 80,83 | 92,22 | 103,89 |
| 2 | DH FU | Roof plate | 20,80* | 21,18* | 22,73* | 23,49* | 25,83 | 25,81* | 26,40* | 29,00* | 33,20* | 36,75 | 51,35 | - | - | - | - | - |
| 3 | KPR | Cleanout | 24,72* | 26,39* | 27,22* | 29,17* | 29,72 | 31,94* | 33,06* | 35,28* | 37,50* | 40,56 | 57,50 | 87,50 | 97,50 | 109,72 | 122,50 | 134,44 |
| 4 | KPR FU | Cleanout | 32,50* | 33,89* | 34,72* | 35,56* | 36,67 | 40,00* | 41,11* | 43,61* | 45,83* | 48,61 | 65,56 | 98,33 | - | - | - | - |
| 5 | KPR+OK | Cleanout with condensate collector | 24,72 | 26,11 | 27,22 | 28,61 | 29,72 | 31,94 | 33,06 | 35,28 | 37,50 | 40,56 | 57,50 | 87,50 | - | - | - | - |
| 6 | LK 90 | Elbow 90° | 21,67* | 24,17* | 26,11* | 26,94* | 30,56 | 33,33* | 37,50* | 40,56* | 43,06* | 51,39 | 66,67 | 78,89 | - | - | - | - |
| 7 | LKR 90 | Elbow 90° | 28,89* | 32,22* | 34,72* | 36,39* | 40,00 | 43,61* | 45,83* | 50,28* | 54,17* | 64,17 | 83,33 | 90,00 | - | - | - | - |
| 8 | LKRS 90 | Elbow 90° | - | - | - | - | - | - | - | - | - | - | - | - | 130,83 | 155,56 | 180,00 | 211,67 |
| 9 | LKS 90 | Elbow 90° | - | - | - | - | - | - | - | - | - | - | - | - | 118,06 | 142,78 | 167,22 | 198,89 |
| 10 | OD | Condensate collector | 12,78* | 12,78* | 12,78* | 13,89* | 15,00 | 15,83* | 17,50* | 18,89* | 20,56* | 25,56 | 26,94 | 29,72 | 38,61 | 45,28 | 52,78 | 60,56 |
| 11 | OS | Tee-flue connector LI100 | 11,11 | 11,11 | 11,67 | 12,22 | 13,06 | 15,00 | 16,94 | 18,06 | 19,17 | - | - | - | - | - | - | - |
| 12 | OS | Tee-flue connector LI101 | 15,00 | 16,11 | 17,22 | 18,33 | 19,44 | 21,67 | 22,78 | 25,28 | 27,22 | - | - | - | - | - | - | - |
| 13 | PP | Transitional support | 35,56 | 38,61 | 40,28 | 42,50 | 45,00 | 47,50 | 50,56 | 55,83 | 53,89 | 60,28 | 92,22 | 111,67 | 163,61 | 189,17 | 216,39 | 245,00 |
| 14 | RD MKS | Reduction | 15,83 | 16,67 | 16,94 | 18,89 | 20,00 | 20,83 | 21,67 | 23,33 | 26,11 | 35,56 | 42,22 | 50,28 | - | - | - | - |
| 15 | RP L250 | Pipe L250 | 8,33* | 9,17* | 9,72* | 10,56* | 11,39 | 12,22* | 12,78* | 14,44* | 16,11* | 18,06 | 24,72 | 29,72 | - | - | - | - |
| 16 | RP L330 | Pipe L330 | - | - | - | - | - | - | - | - | - | - | - | - | 35,00 | 51,67 | 56,67 | 64,17 |
| 17 | RP L500 | Pipe L500 | 13,89* | 16,94* | 18,06* | 19,44* | 20,56 | 23,33* | 24,72* | 27,22* | 30,56* | 33,61 | 48,33 | 58,06 | 67,22 | 76,94 | 86,11 | 95,56 |
| 18 | RP LI000 | Pipe LI000 | 25,83* | 28,89* | 30,83* | 33,33* | 35,56 | 38,06* | 40,56* | 45,56* | 50,56* | 56,94 | 80,00 | 96,11 | 111,94 | 127,78 | 143,61 | 159,17 |
| 19 | RPJ | Telescopic pipe | 28,33 | 31,11 | 32,50 | 34,72 | 36,94 | 39,17 | 41,39 | 46,39 | 50,56 | 56,11 | 78,89 | 93,61 | 116,67 | 132,50 | 148,33 | 164,17 |
| 20 | RPU LI000 | Pipe with eyes | 26,39* | 29,44* | 31,67* | 34,17* | 36,67 | 39,17* | 42,50* | 46,11* | 51,67* | 57,78 | 80,56 | 97,50 | - | - | - | - |
| 21 | SK 45 | Elbow 45° | 14,17* | 16,11* | 17,22* | 18,06* | 18,89 | 22,50* | 23,61* | 26,94* | 30,56* | 35,00 | 49,44 | 63,06 | - | - | - | - |
| 22 | SKS 15 | Elbow 15° | - | - | - | - | - | - | - | - | - | - | - | - | 85,83 | 99,44 | 118,33 | 126,39 |
| 23 | SKS 30 | Elbow 30° | - | - | - | - | - | - | - | - | - | - | - | - | 86,11 | 99,72 | 118,61 | 126,67 |
| 24 | SKS 45 | Elbow 45° | - | - | - | - | - | - | - | - | - | - | - | - | 86,39 | 100,00 | 118,89 | 126,94 |
| 25 | TR 45 | Tee-pipe | 29,44 | 32,50 | 35,00 | 38,61 | 41,94 | 46,94 | 51,39 | 61,94 | 71,94 | 83,61 | 123,89 | 163,33 | 225,00 | 280,00 | 323,06 | 397,22 |
| 26 | TR 90 | Tee-pipe | 22,78 | 25,28 | 26,94 | 29,17 | 30,83 | 32,78 | 38,61 | 40,56 | 43,06 | 51,94 | 72,78 | 94,44 | 146,39 | 177,50 | 218,89 | 256,67 |
| 27 | TR REG | Tee-pipe | - | 25,28 | 26,39 | 28,06 | 29,72 | 31,67 | 37,78 | 41,94 | 46,11 | 51,94 | 72,78 | 91,67 | - | - | - | - |
| 28 | TRPF 90 | Tee-pipe | 24,44* | 26,39* | 27,78* | 30,00* | 31,67 | 33,89* | 38,89* | 40,56* | 43,61* | 52,78 | 71,39 | 95,83 | - | - | - | - |
| 29 | WPF | TRPF tee-pipe outlet | in another table | | | | | | | | | | | | | | | |

| Ip. | Symbol | Item name / diameter | Ø 100 | Ø 113 | Ø 120 | Ø 130 | Ø 140 | Ø 150 | Ø 160 | Ø 180 | Ø 200 | Ø 225 | Ø 250 | Ø 300 | Ø 350 | Ø 400 | Ø 450 | Ø 500 |
|-----|--------|-----------------------------------|--|--------|--------|--------|-------|--------|--------|--------|--------|-------|-------|--------|--------|--------|--------|--------|
| 1 | A | Pipe cover | 9,17* | 11,94* | 11,94* | 12,22* | 12,22 | 12,50* | 15,83* | 18,06* | 21,67* | 31,39 | 36,11 | 51,39 | 62,22 | 77,22 | 116,39 | 138,33 |
| 2 | ADW | Deflector | 20,28 | 26,39 | 27,22 | 28,89 | 31,11 | 34,44 | 37,78 | 45,56 | 52,22 | 67,78 | 90,00 | 112,78 | - | - | - | - |
| 3 | AH | Stabilizer | 6,94* | 5,00* | 5,28* | 5,28* | 5,28 | 5,56* | 5,56* | 5,83* | 5,83* | 6,11 | 7,78 | 8,33 | 8,89 | 9,44 | 10,00 | 10,56 |
| 4 | DHKK | Roof plate | 35,83 | 38,06 | 40,28 | 42,50 | 44,44 | 46,11 | 47,50 | 49,44 | 51,39 | 54,72 | 63,33 | 71,39 | 80,00 | 90,28 | 99,72 | 110,83 |
| 5 | DHS | Roof plate with aeration | 16,94* | 21,39* | 21,94* | 22,78* | 23,89 | 24,72* | 25,83* | 27,78* | 29,72* | 32,50 | 43,06 | - | - | - | - | - |
| 6 | IP | Flange | 8,89* | 9,44* | 9,44* | 10,00* | 10,28 | 12,78* | 13,61* | 14,17* | 14,72* | 15,56 | 16,67 | 17,50 | 20,56 | 23,89 | 27,50 | 31,39 |
| 7 | K | Cleanout door | Cleanout door 120x180- 6,4 ;Cleanout door 200x300- 11,1* | | | | | | | | | | | | | | | |
| 9 | OB | Pipe clamp | 8,05 | 8,05 | 8,05 | 8,05 | 8,05 | 8,61* | 9,17 | 9,44 | 9,72 | 9,72 | 9,72 | 9,72 | 10,28 | 11,11 | 11,94 | 12,50 |
| 9 | OBM | Clamp | 9,44 | 9,44 | 10,00 | 11,11 | 11,67 | 11,94* | 12,50 | 14,44 | 21,94 | - | - | - | - | - | - | - |
| 10 | OW | Inserted cover | - | 7,22 | 7,78 | 8,33 | 8,89 | 9,44 | 10,00 | 11,11 | 12,50 | - | - | - | - | - | - | - |
| 11 | PDI 0 | Roof flashing MKS 0° - 5° | 26,39 | 27,78 | 28,89 | 30,00 | 31,67 | 33,89* | 34,44 | 36,39 | 37,22 | 42,50 | 46,39 | 52,78 | 59,44 | 69,17 | 77,78 | 88,33 |
| 12 | PDI 15 | Roof flashing MKS 5° - 20° | 29,72 | 31,39 | 32,22 | 33,33 | 35,00 | 37,78* | 37,78 | 39,72 | 40,56 | 45,83 | 50,56 | 57,22 | 63,61 | 71,94 | 83,61 | 96,39 |
| 13 | PDI 30 | Roof flashing MKS 20° - 35° | 31,39 | 33,89 | 34,44 | 35,83 | 37,50 | 39,44* | 42,22 | 44,72 | 45,28 | 51,94 | 57,22 | 69,72 | 87,78 | 100,83 | 107,22 | 126,11 |
| 14 | PDI 45 | Roof flashing MKS 35° - 40° | 40,28 | 43,61 | 45,56 | 47,50 | 49,44 | 51,39* | 58,06 | 63,06 | 66,94 | 77,22 | 88,06 | 97,78 | 119,72 | 125,56 | 136,39 | 145,56 |
| 15 | RKP | Rain flange | 10,56 | 11,11 | 11,11 | 11,67 | 11,94 | 12,50* | 12,78 | 13,61 | 14,44 | 15,56 | 20,00 | 23,06 | 26,67 | 30,28 | 34,44 | 38,61 |
| 16 | Z+DR | Cleanout extension + door 120x180 | L 100-41,67; L 150- 44,44; L 250-52,78 | | | | | | | | | | | | | | | |
| 17 | DR | Door 120X180 | 26,94* | | | | | | | | | | | | | | | |
| 18 | RCO | Round draught adjuster | 60,28* | | | | | | | | | | | | | | | |
| 19 | UKK | Gasket | 1,94* | 1,94* | 1,94* | 1,94* | 2,22* | 2,22* | 2,22* | 2,50* | 2,78* | 3,06* | 3,33* | 3,89* | 4,44* | 5,83* | 6,94* | 7,50* |

* Elements available in stock Prices in EUR without tax
 ** The symbol of the element is made by inserting diameter into XX place. F.ex. Raincap A diameter 150 – symbol 0A150.
 The remaining elements not mentioned in the price list are subject to individual quotation after receiving appropriate information from the customer.



Example of instalation



MKKS Premium System

Best quality in good price

CE-0432-BPR-119973

EN 1856-2 T200-PI-W-V2-L50050-O

EN 1856-2 T450-NI-D-V2-L50050-G

EN 1856-2 T200-PI-W-V2-L50060-O

EN 1856-2 T450-NI-D-V2-L50060-G

EN 1856-2 T450-NI-D-V3-L50060-G

EN 1856-2 T200-PI-W-V2-L50080-O

EN 1856-2 T450-NI-D-V2-L50080-G

EN 1856-2 T450-NI-D-V3-L50080-G

Technical data:

Working conditions: Underpressure, Overpressure

Core pipe material: steel 1.4404

Working temperature: up to 450°C, with gasket up to 200°C

Workig pressure: NI (40 Pa), with gasket PI (200 Pa)

Kind of fuel: natural gas, oil (sulphur content <0,2% of weight)

Technology of connections: welding



| Single-wall system MKKS STANDARD | | | | | | | | | | | | | | | | | |
|----------------------------------|------------------|---------------------------------------|-------|-------|-------|-------|-------|-------|-------|-------|--------|--------|--------|--------|--------|--------|--------|
| l.p. | Symbol | Item name / diameter | Ø 113 | Ø 120 | Ø 130 | Ø 140 | Ø 150 | Ø 160 | Ø 180 | Ø 200 | Ø 225 | Ø 250 | Ø 300 | Ø 350 | Ø 400 | Ø 450 | Ø 500 |
| 1 | KPKK | Cleanout | 33,89 | 35,00 | 39,72 | 40,83 | 41,94 | 43,06 | 45,28 | 47,78 | 61,11 | 62,78 | 86,67 | 97,22 | 109,72 | 121,67 | 135,28 |
| 2 | KPKK+OD | Cleanout with condensate collector | 44,44 | 45,00 | 50,28 | 51,94 | 53,89 | 55,56 | 59,17 | 62,78 | 79,17 | 80,56 | 110,56 | 125,83 | 141,67 | 157,78 | 174,17 |
| 3 | ŁKK 90 | Elbow 90 | 33,33 | 35,00 | 36,11 | 39,72 | 45,00 | 47,78 | 50,28 | 58,61 | 64,72 | 70,28 | 89,17 | 118,06 | 144,44 | 167,22 | 198,89 |
| 4 | ŁKK 93 | Elbow 93 | 33,33 | 35,00 | 36,11 | 39,72 | 45,00 | 47,78 | 50,28 | 58,61 | 64,72 | 70,28 | 89,17 | 118,06 | 144,44 | 167,22 | 198,89 |
| 5 | ŁPKK 93 | Elbow 93 | 48,89 | 52,50 | 55,56 | 60,00 | 65,56 | 65,83 | 78,61 | 95,28 | 105,00 | 115,00 | 147,22 | - | - | - | - |
| 6 | ŁRKK 93 | Elbow with inspection door | 38,06 | 40,83 | 43,06 | 45,83 | 49,44 | 52,22 | 60,00 | 67,78 | 77,78 | 92,78 | 98,06 | 130,83 | 155,56 | 180,00 | 211,67 |
| 7 | ODKK | Condensate collector | 21,94 | 23,33 | 24,72 | 26,11 | 27,78 | 29,44 | 31,94 | 35,28 | 36,94 | 38,89 | 41,94 | 49,44 | 57,78 | 66,39 | 75,56 |
| 8 | RPK L250 | Pipe L 250 | 28,89 | 30,83 | 33,33 | 35,56 | 38,06 | 40,56 | 45,56 | 50,56 | 56,94 | 80,00 | 96,11 | 111,94 | 127,78 | 143,61 | 159,17 |
| 9 | RPK L330 | Pipe L 330 | 9,17 | 9,72 | 10,56 | 11,39 | 12,22 | 12,78 | 14,44 | 16,11 | 18,06 | 24,72 | 29,72 | - | - | - | - |
| 10 | RPK L500 | Pipe L 500 | - | - | - | - | - | - | - | - | - | - | - | 35,00 | 51,67 | 56,67 | 64,17 |
| 11 | RPK L1000 | Pipe L 1000 | 16,94 | 18,06 | 19,44 | 20,56 | 23,33 | 24,72 | 27,22 | 30,56 | 33,61 | 48,33 | 58,06 | 67,22 | 76,94 | 86,11 | 95,56 |
| 12 | RPK+OD | Pipe with condensate collector | 28,89 | 29,17 | 30,00 | 31,11 | 32,22 | 33,06 | 33,61 | 34,44 | 39,72 | 49,17 | 58,89 | 67,50 | 75,56 | 85,83 | 95,56 |
| 13 | RPKJ | Telescopic pipe | 45,56 | 47,50 | 48,33 | 51,11 | 53,61 | 56,39 | 61,94 | 68,06 | 75,00 | 96,39 | 113,61 | 131,39 | 148,33 | 165,00 | 181,67 |
| 14 | RPKM 1/2"x1 L250 | Pipe with measurement connection 64X4 | 22,22 | 22,78 | 23,61 | 24,44 | 25,28 | 25,83 | 27,50 | 29,17 | 31,11 | 37,78 | 42,78 | - | - | - | - |
| 15 | RPKM 64"x4 L330 | Pipe with measurement connection 1/3 | - | - | - | - | - | - | - | - | - | - | - | 48,06 | 64,72 | 69,72 | 77,22 |
| 16 | RPKU L1000 | Pipe with assembly eyes | 29,44 | 31,67 | 34,17 | 36,67 | 39,17 | 42,50 | 46,11 | 51,67 | 57,78 | 80,56 | 97,50 | - | - | - | - |
| 17 | SKK 15 | Elbow 15° | 23,33 | 24,44 | 26,11 | 27,22 | 31,67 | 33,33 | 37,22 | 40,83 | 48,06 | 52,78 | 66,94 | 85,83 | 99,44 | 118,33 | 126,39 |
| 18 | SKK 30 | Elbow 30° | 23,61 | 24,32 | 26,39 | 27,50 | 31,94 | 33,61 | 37,50 | 41,11 | 48,33 | 53,06 | 67,22 | 86,11 | 99,72 | 118,61 | 126,67 |
| 19 | SKK 45 | Elbow 45° | 23,89 | 25,00 | 26,67 | 27,78 | 32,22 | 33,89 | 37,78 | 41,39 | 48,61 | 53,33 | 67,50 | 86,39 | 100,00 | 118,89 | 126,94 |
| 20 | TRK 87 | Tee-pipe | 29,17 | 30,83 | 33,33 | 35,28 | 37,78 | 43,06 | 45,00 | 48,33 | 58,61 | 79,44 | 102,50 | 146,39 | 177,50 | 218,89 | 256,67 |
| 21 | TRKR | Tee-pipe | 28,61 | 30,28 | 32,78 | 34,44 | 36,94 | 42,22 | 44,17 | 47,50 | 57,50 | 77,78 | 100,56 | 143,33 | 173,89 | 214,44 | 251,67 |

| Single-wall system MKS/MKKS Accessories | | | | | | | | | | | | | | | | | |
|---|--------|-----------------------------------|--|--------|--------|-------|--------|--------|--------|--------|-------|-------|--------|--------|--------|--------|--------|
| l.p. | Symbol | Item name / diameter | Ø 113 | Ø 120 | Ø 130 | Ø 140 | Ø 150 | Ø 160 | Ø 180 | Ø 200 | Ø 225 | Ø 250 | Ø 300 | Ø 350 | Ø 400 | Ø 450 | Ø 500 |
| 1 | A | Pipe cover | 11,94* | 11,94* | 12,22* | 12,22 | 12,50* | 15,83* | 18,06* | 21,67* | 31,39 | 36,11 | 51,39 | 62,22 | 77,22 | 116,39 | 138,33 |
| 2 | ADW | Deflector | 26,39 | 27,22 | 28,89 | 31,11 | 34,44 | 37,78 | 45,56 | 52,22 | 67,78 | 90,00 | 112,78 | - | - | - | - |
| 3 | AH | Stabilizer | 5,00* | 5,28* | 5,28* | 5,28 | 5,56* | 5,56* | 5,83* | 5,83* | 6,11 | 7,78 | 8,33 | 8,89 | 9,44 | 10,00 | 10,56 |
| 4 | DHKK | Roof plate | 38,06 | 40,28 | 42,50 | 44,44 | 46,11 | 47,50 | 49,44 | 51,39 | 54,72 | 63,33 | 71,39 | 80,00 | 90,28 | 99,72 | 110,83 |
| 5 | DHS | Roof plate with aeration | 21,39* | 21,94* | 22,78* | 23,89 | 24,72* | 25,83* | 27,78* | 29,72* | 32,50 | 43,06 | - | - | - | - | - |
| 6 | IP | Flange | 9,44* | 9,44* | 10,00* | 10,28 | 12,78* | 13,61* | 14,17* | 14,72* | 15,56 | 16,67 | 17,50 | 20,56 | 23,89 | 27,50 | 31,39 |
| 8 | K | Cleanout door | Cleanout door 120x180- 6,4; Cleanout door 200x300- 11,1* | | | | | | | | | | | | | | |
| 9 | OB | Pipe clamp | 8,05 | 8,05 | 8,05 | 8,05 | 8,61* | 9,17 | 9,44 | 9,72 | 9,72 | 9,72 | 9,72 | 10,28 | 11,11 | 11,94 | 12,50 |
| 10 | OBM | Clamp | 9,44 | 10,00 | 11,11 | 11,67 | 11,94* | 12,50 | 14,44 | 21,94 | - | - | - | - | - | - | - |
| 11 | OW | Inserted cover | 7,22 | 7,78 | 8,33 | 8,89 | 9,44 | 10,00 | 11,11 | 12,50 | - | - | - | - | - | - | - |
| 12 | PDI 0 | Roof flashing MKS 0° - 5° | 27,78 | 28,89 | 30,00 | 31,67 | 33,89* | 34,44 | 36,39 | 37,22 | 42,50 | 46,39 | 52,78 | 59,44 | 69,17 | 77,78 | 88,33 |
| 13 | PDI 15 | Roof flashing MKS 5° - 20° | 31,39 | 32,22 | 33,33 | 35,00 | 37,78* | 37,78 | 39,72 | 40,56 | 45,83 | 50,56 | 57,22 | 63,61 | 71,94 | 83,61 | 96,39 |
| 14 | PDI 30 | Roof flashing MKS 20° - 35° | 33,89 | 34,44 | 35,83 | 37,50 | 39,44* | 42,22 | 44,72 | 45,28 | 51,94 | 57,22 | 69,72 | 87,78 | 100,83 | 107,22 | 126,11 |
| 15 | PDI 45 | Roof flashing MKS 35° - 40° | 43,61 | 45,56 | 47,50 | 49,44 | 51,39* | 58,06 | 63,06 | 66,94 | 77,22 | 88,06 | 97,78 | 119,72 | 125,56 | 136,39 | 145,56 |
| 16 | RKP | Rain flange | 11,11 | 11,11 | 11,67 | 11,94 | 12,50* | 12,78 | 13,61 | 14,44 | 15,56 | 20,00 | 23,06 | 26,67 | 30,28 | 34,44 | 38,61 |
| 17 | Z+DR | Cleanout extension + door 120x180 | L 100-41,67; L 150- 44,44; L 250-52,78 | | | | | | | | | | | | | | |
| 18 | DR | Door 120X180 | 26,94* | | | | | | | | | | | | | | |
| 19 | RCO | Round draught adjuster | 60,28* | | | | | | | | | | | | | | |
| 20 | UKK | Gasket | 1,94* | 1,94* | 1,94* | 2,22* | 2,22* | 2,22* | 2,50* | 2,78* | 3,06* | 3,33* | 3,89* | 4,44* | 5,83* | 6,94* | 7,50* |

* - Elements available in stock

Prices in EUR without tax

** The symbol of the element is made by inserting diameter into XX place. F.ex. Raincap A diameter 150 – symbol 0A150.

The remaining elements not mentioned in the price list are subject to individual quotation after receiving appropriate information from the customer.

MKS Standard MKKS Standard MKD Standard MKD Standard MKS Premium MKKS Premium MKD Premium MKD Premium MK FLEX

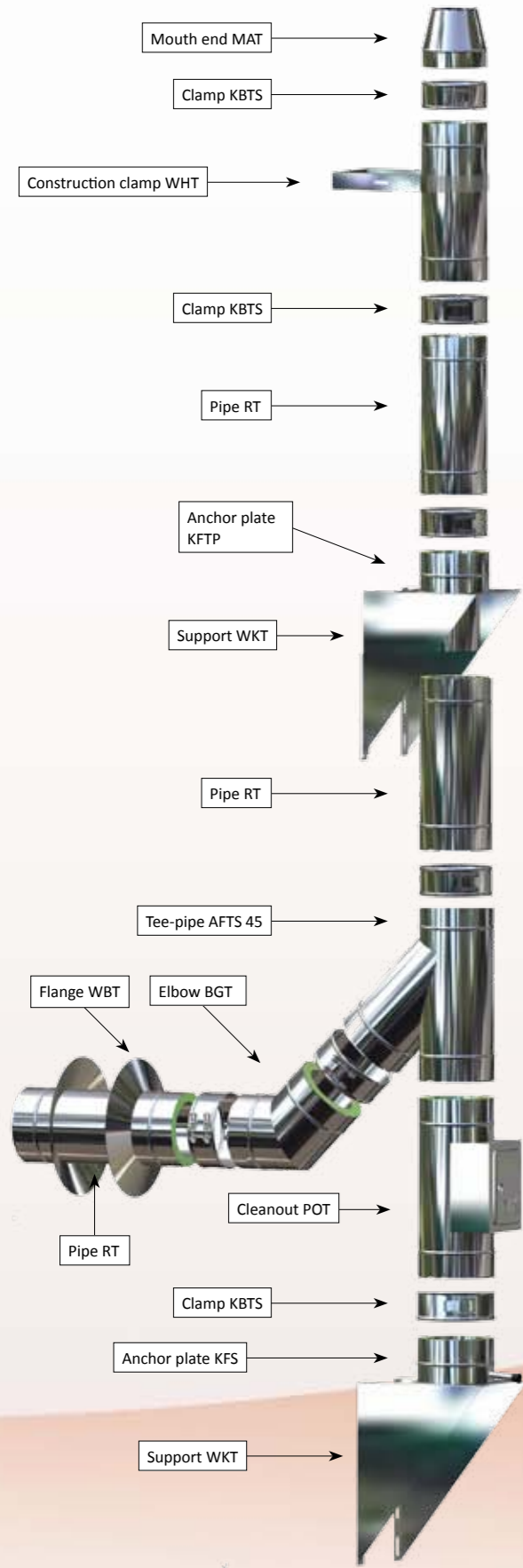
Example of instalation

MKD Premium System

Best quality in good price

CE-0432-BPR-119972
 EN 1856-1 T600-NI-D-V3-L50060-G50
 EN 1856-1 T600-NI-W-V2-L50060-O50

Technical data:
 Working conditions: Underpressure
 Core pipe material: steel I.4404
 Jacket pipe material: steel I.4509
 Working temperature: up to 600°C
 Workig pressure: NI (40 Pa)
 Kind of fuel: natural gas, oil (sulphur content <0,2% of weight), wood
 Technology of connections: welding



| Doublewall system MKD PREMIUM | | | | | | | | | | | | | | | | | |
|-------------------------------|------------------|--------------------------------|---|-------|--------|--------|--------|--------|--------|--------|--------|--------|--------|--------|--------|--------|--------|
| l.p. | Symbol | Item name / diameter | Ø 113 | Ø 120 | Ø 130 | Ø 140 | Ø 150 | Ø 160 | Ø 180 | Ø 200 | Ø 225 | Ø 250 | Ø 300 | Ø 350 | Ø 400 | Ø 450 | Ø 500 |
| 1 | AFTS 45 | Tee-pipe 45° | 66,11 | 69,17 | 73,61 | 79,72 | 85,56 | 90,83 | 107,22 | 114,44 | 136,94 | 174,72 | 211,67 | 317,22 | 332,22 | 379,72 | 587,78 |
| 2 | AFTS 90 | Tee-pipe 90° | 60,00 | 62,50 | 65,56 | 68,61 | 73,06 | 77,50 | 83,89 | 94,44 | 107,78 | 119,72 | 153,61 | 205,56 | 237,22 | 278,89 | 413,61 |
| 3 | AFTSR 90 | Tee-pipe 90° | Wenn der T-Stück Ausgang >dn, Preis für AFTS + RD MKD, wenn der T-Stück Ausgang < dn, Preis für AFTS + 10 % | | | | | | | | | | | | | | |
| 4 | AT LI000 | Pipe | 53,89 | 56,11 | 59,44 | 62,50 | 66,11 | 71,67 | 77,22 | 86,67 | 96,39 | 106,39 | 131,94 | - | - | - | - |
| 5 | AT L500 | Pipe | 33,33 | 34,72 | 36,94 | 39,44 | 41,94 | 44,44 | 48,89 | 53,89 | 61,11 | 68,06 | 76,11 | - | - | - | - |
| 6 | ATO LI000 | Pipe with tee-flue connector | 65,90 | 72,29 | 73,40 | 84,20 | 89,60 | 100,30 | 113,15 | 116,40 | - | - | - | - | - | - | - |
| 7 | ATO L500 | Pipe with tee-flue connector | 44,97 | 47,76 | 51,74 | 59,70 | 63,68 | 71,63 | 79,59 | 81,00 | - | - | - | - | - | - | - |
| 8 | BGR 90 | Elbow 90° with inspection door | 61,67 | 64,72 | 68,61 | 80,00 | 81,67 | 81,94 | 95,00 | 99,17 | 111,11 | 135,28 | 163,33 | 190,28 | 224,17 | 257,78 | 332,50 |
| 9 | BGT 15 | Elbow 15° | 40,00 | 40,28 | 40,56 | 45,00 | 47,78 | 50,56 | 55,28 | 60,56 | 64,44 | 70,56 | 79,44 | 102,50 | 118,61 | 133,61 | 178,89 |
| 10 | BGT 30 | Elbow 30° | 40,00 | 40,28 | 40,56 | 45,00 | 48,06 | 51,94 | 58,89 | 64,72 | 72,78 | 80,56 | 91,94 | 108,33 | 134,44 | 161,67 | 200,28 |
| 11 | BGT 45 | Elbow 45° | 43,89 | 44,17 | 44,72 | 49,44 | 52,78 | 55,28 | 60,83 | 66,67 | 76,11 | 82,78 | 91,94 | 116,67 | 162,22 | 164,72 | 208,06 |
| 12 | BGT 90 | Elbow 90° | 52,22 | 53,61 | 56,11 | 61,11 | 63,89 | 66,11 | 71,67 | 80,28 | 97,22 | 120,56 | 147,22 | 162,22 | 189,44 | 219,17 | 303,89 |
| 13 | DS | Elbow 90° with inspection door | 16,94 | 17,50 | 18,61 | 19,44 | 20,56 | 21,94 | 24,17 | 26,94 | 30,00 | 33,89 | 43,06 | 48,89 | 57,50 | 71,39 | 76,94 |
| 14 | KFS | Elbow 15° | 37,22 | 38,06 | 39,17 | 41,11 | 42,22 | 45,28 | 49,44 | 54,44 | 65,83 | 76,11 | 92,78 | 110,00 | 129,17 | 148,89 | 169,72 |
| 15 | KFT | Elbow 30° | 30,56 | 31,67 | 33,89 | 36,11 | 38,33 | 40,83 | 45,28 | 48,89 | 50,28 | 63,89 | 73,61 | 86,39 | 103,33 | 121,11 | 140,28 |
| 16 | KFTP | Elbow 45° | 29,44 | 30,00 | 30,56 | 31,67 | 33,61 | 36,11 | 39,44 | 45,28 | 49,72 | 57,78 | 70,28 | 83,61 | 98,61 | 114,17 | 130,56 |
| 17 | KFTS | Elbow 90° | 26,67 | 27,78 | 29,44 | 31,39 | 33,06 | 35,28 | 38,89 | 42,78 | 46,67 | 54,72 | 66,11 | 76,39 | 88,33 | 98,33 | 111,11 |
| 18 | POT | Cleanout | 82,78 | 84,44 | 86,94 | 88,89 | 91,39 | 95,56 | 99,72 | 110,28 | 116,39 | 126,67 | 197,22 | 211,94 | 229,44 | 245,56 | 261,39 |
| 19 | PZO | Pipe with round adjustment | - | - | 131,39 | 137,78 | 140,28 | 144,17 | 148,33 | 151,67 | 164,17 | 167,78 | - | - | - | - | - |
| 20 | RD MKD | Reduction | 38,89 | 38,89 | 38,89 | 44,72 | 45,83 | 47,22 | 51,11 | 51,11 | 63,33 | 69,44 | 85,28 | 108,61 | 124,44 | 147,22 | 204,17 |
| 21 | RD MKD-MKS | Reduction | Price reduction for MKD minus 10% | | | | | | | | | | | | | | |
| 22 | RT LI000 | Pipe L 1000 | 53,89 | 56,11 | 59,44 | 62,50 | 66,11 | 71,67 | 77,22 | 86,67 | 96,39 | 106,39 | 131,94 | 152,78 | 177,78 | 200,83 | 222,50 |
| 23 | RT L250 | Pipe L 250 | 20,00 | 20,56 | 21,39 | 22,78 | 24,17 | 25,56 | 28,33 | 31,39 | 35,56 | 40,00 | 47,50 | 55,83 | 66,11 | 69,72 | 78,61 |
| 24 | RT L500 | Pipe L 500 | 33,33 | 34,72 | 36,94 | 39,44 | 41,94 | 44,44 | 48,89 | 53,89 | 61,11 | 68,06 | 76,11 | 85,00 | 99,17 | 113,06 | 127,22 |
| 25 | RTJ | Telescopic pipe | 53,33 | 55,56 | 59,17 | 62,78 | 66,94 | 70,83 | 78,33 | 86,11 | 91,94 | 108,61 | 129,72 | 150,28 | 175,83 | 199,17 | 223,61 |
| 26 | RTM 1/2" x1 L250 | Pipe wth connection | 33,06 | 33,61 | 34,44 | 35,83 | 37,22 | 38,61 | 41,39 | 44,44 | 74,17 | 53,06 | 60,56 | 68,89 | 79,17 | 82,78 | 91,67 |
| 27 | RTM 64x4x1 L250 | Pipe with connection | 95,56 | 96,11 | 96,94 | 98,33 | 99,72 | 101,11 | 103,89 | 106,94 | 111,11 | 115,56 | 123,06 | 131,39 | 141,67 | 145,28 | 154,17 |

| Tabelle Schorsteinsystem Zubehör MKD/MKKD | | | | | | | | | | | | | | | | | |
|---|---------|--------------------------------|--|--------|--------|--------|--------|--------|--------|--------|--------|--------|---------|--------|--------|--------|--------|
| l.p. | Symbol | Item name / diameter | Ø 113 | Ø 120 | Ø 130 | Ø 140 | Ø 150 | Ø 160 | Ø 180 | Ø 200 | Ø 225 | Ø 250 | Ø 300 | Ø 350 | Ø 400 | Ø 450 | Ø 500 |
| 1 | DDT 0 | Roof flashing 0° - 5° | 20,56 | 21,11* | 22,22* | 23,33 | 23,89* | 25,28* | 26,39* | 28,89* | 31,67 | 38,61* | 51,39* | 59,44 | 65,00 | 73,61 | 81,94 |
| 2 | DDT 15 | Roof flashing 5° - 20° | 22,50 | 23,89* | 25,56* | 27,22 | 27,78* | 28,39* | 30,00* | 32,22* | 35,28 | 43,17* | 56,11* | 63,61 | 68,89 | 76,11 | 92,22 |
| 3 | DDT 30 | Roof flashing 20° - 35° | 25,28 | 26,11* | 27,22* | 28,61 | 30,00* | 30,33* | 35,00* | 37,50* | 41,94 | 52,22* | 67,50* | 77,22 | 73,61 | 105,28 | 131,11 |
| 4 | DDT 45 | Roof flashing 35° - 50° | 34,72 | 36,39* | 38,61* | 40,28 | 42,78* | 44,14* | 48,33* | 53,33* | 59,72 | 66,11* | 104,44* | 104,72 | 108,33 | 171,11 | 203,06 |
| 5 | DDTO 15 | Roof flashing 5° - 20° | 73,61 | 75,00 | 76,39 | 78,33 | 79,72 | 80,00 | 85,28 | 86,67 | 96,39 | 100,00 | 123,61 | 127,50 | 142,22 | - | - |
| 6 | DDTO 30 | Roof flashing 20° - 35° | 84,72 | 86,11 | 87,78 | 90,28 | 91,39 | 92,22 | 98,06 | 100,00 | 110,56 | 114,72 | 142,22 | 144,72 | - | - | - |
| 7 | DDTO 45 | Roof flashing 35° - 50° | 101,67 | 103,61 | 105,56 | 108,33 | 110,00 | 110,56 | 117,78 | 119,72 | 132,78 | 137,78 | - | - | - | - | - |
| 8 | DFT | Ceiling sleeve | 26,11 | 27,22 | 28,33 | 29,72 | 30,83 | 32,22 | 35,00 | 37,78 | 41,39 | 45,28 | 53,33 | 66,67 | 76,11 | 86,11 | 96,94 |
| 9 | END | End cover | 8,33 | 9,44* | 11,11* | 12,50 | 14,17* | 15,56* | 16,94* | 18,33* | 19,44 | 21,11* | 22,78* | 24,44 | 26,39 | 28,61 | 37,50 |
| 10 | KBS | Reinforced clamp | 18,61 | 18,61* | 18,61* | 18,89 | 19,44* | 19,72* | 20,56* | 21,39* | 22,50 | 23,89* | 26,39* | 28,89 | 31,11 | 33,61 | 35,83 |
| 11 | KBSO | Reinforced clamp for guy ropes | 21,39 | 21,67 | 22,78 | 23,33 | 24,17 | 24,72 | 25,56 | 26,39 | 27,22 | 29,17 | 30,56 | 32,22 | 34,44 | 40,00 | 46,94 |
| 12 | KBT | Pipe clamp | 6,11 | 6,11* | 6,11* | 6,11 | 6,11* | 6,11* | 6,11* | 6,39* | 6,39 | 7,78* | 8,89* | 9,72 | 10,83 | 11,94 | 13,06 |
| 13 | KBTS | Pipe clamp | 11,11 | 11,11* | 11,39* | 11,67 | 11,67* | 11,94* | 12,22* | 12,50* | 12,78 | 13,06* | 13,89* | 14,44 | 15,28 | 15,83 | 16,94 |
| 14 | MAT | Mouth-end | 21,67 | 22,78* | 24,72* | 26,11 | 29,17* | 30,83* | 32,22* | 35,00* | 41,11 | 44,44* | 51,67* | 58,33 | 68,61 | 76,11 | 99,17 |
| 15 | RHT WM | Pipe cover | 11,94 | 12,22 | 12,22 | 12,78 | 13,33 | 14,72 | 16,94 | 20,28 | 24,72 | 35,28 | 48,06 | 60,83 | 71,39 | 107,50 | 126,94 |
| 16 | RHTS | Pipe cover | 17,50 | 17,50* | 18,33* | 19,44 | 20,56* | 21,94* | 23,33* | 25,56* | 35,28 | 48,06* | 62,78* | 80,00 | 91,39 | 136,67 | 158,06 |
| 17 | RKT | Rain Flange | 10,83 | 11,11* | 12,22* | 12,50 | 13,06* | 13,61* | 14,17* | 16,39* | 18,06 | 19,44* | 23,06* | 26,94 | 33,89 | 37,50 | 42,78 |
| 18 | SBK | Fixing clamp | 11,94 | 11,94 | 12,22 | 12,50 | 13,06 | 13,06 | 13,61 | 14,17 | 14,72 | 18,06 | 19,17 | 21,11 | 22,22 | 23,06 | 24,72 |
| 19 | SBT | Fixing clamp | 14,72 | 15,00 | 15,28 | 15,83 | 16,11 | 16,67 | 17,22 | 18,06 | 18,89 | 20,00 | 20,83 | - | - | - | - |
| 20 | SFT | Pipe base | 37,22 | 38,61 | 40,83 | 43,06 | 45,28 | 47,78 | 52,50 | 58,06 | 70,56 | 81,94 | 93,89 | 109,17 | 125,28 | 141,67 | 158,89 |
| 21 | SRT | Flue support | 34,17 | 34,44 | 34,72 | 35,00 | 35,00 | 35,28 | 35,56 | 36,11 | 36,67 | 37,22 | 42,50 | 46,94 | 48,61 | 52,78 | 58,61 |
| 22 | WBT | Wall end | 10,00 | 10,00* | 10,83* | 11,67 | 12,50* | 13,33* | 13,89* | 15,56* | 16,67 | 18,06* | 19,17* | 20,83 | 22,22 | 24,44 | 27,22 |
| 23 | WHT 1 | Adjustable construction clamp | 19,17 | 19,17* | 20,56* | 21,11 | 21,67* | 22,22* | 23,06* | 23,61* | 24,72 | 25,56* | 29,44* | 32,50 | 38,33 | 43,61 | 53,06 |
| 24 | WHT 2 | Adjustable construction clamp | 28,33 | 28,89* | 30,83* | 32,22 | 33,33* | 34,17* | 35,28* | 36,39* | 40,28 | 41,94* | 44,17* | 46,39 | 49,72 | 53,61 | 65,28 |
| 25 | WHT 3 | Adjustable construction clamp | 34,17 | 34,44* | 35,56* | 36,11 | 38,06* | 38,61* | 39,17* | 43,33* | 45,83 | 47,78* | 49,72* | 53,61 | 62,78 | 68,61 | 83,06 |
| 26 | WKT 1 | Support | 30,83 | 31,11* | 31,67* | 32,22 | 36,11* | 37,50* | 41,11* | 44,44* | 48,89 | 53,33* | 69,44* | 82,50 | 96,39 | 109,17 | 216,11 |
| 27 | WKT 2 | Support | 35,00 | 36,11* | 37,22* | 38,89 | 42,50* | 44,17* | 47,50* | 50,83* | 55,28 | 60,00* | 82,50* | 99,44 | 113,89 | 129,17 | 145,83 |
| 28 | WKT 3 | Support | 48,61 | 50,28* | 51,39* | 53,33 | 58,89* | 60,83* | 71,94* | 76,39* | 82,22 | 88,61* | 101,39* | 141,11 | 158,06 | 176,39 | 195,56 |
| 29 | WS | Support | L235-47,50; L435-55,00 | | | | | | | | | | | | | | |
| 30 | WSP | Support | L 570- 67,50; L 630- 70,00; L 720- 73,33; L820- 83,61; L1 120- 93,89 | | | | | | | | | | | | | | |
| 31 | UKK | Gasket | 1,94* | 1,94* | 1,94* | 2,22* | 2,22* | 2,22* | 2,50* | 2,78* | 3,06* | 3,33* | 3,89* | 4,44* | 5,83* | 6,94* | 7,50* |

* Elements available in stock The remaining elements not mentioned in the price list are subject to individual quotation after receiving appropriate information from the customer.
 ** The symbol of the element is made by inserting diameter into XX place. F.ex. Raincap A diameter 150 – symbol 0A150. Prices in EUR without tax

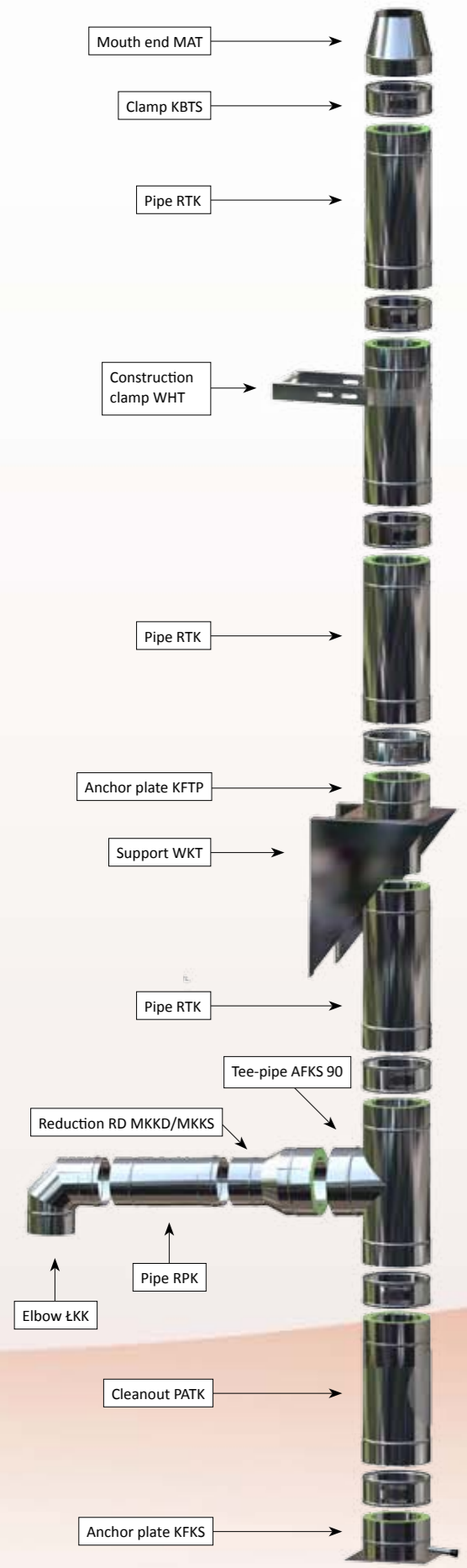
Example of instalation

System MKKD Premium

Best quality in good price

- CE-0432-BPR-119970
- EN 1856-1 T200-HI-W-V2-L50050-O20
- EN 1856-1 T600-NI-W-V2-L50050-O50
- EN 1856-1 T600-NI-D-V2-L50050-G50
- EN 1856-1 T600-NI-D-V3-L50060-G50

Technical data:
 Working conditions: Underpressure, Overpressure
 Core pipe material: steel I.4404
 Jacket pipe material: steel I.4509
 Working temperature: up to 600°C, with gasket up to 200°C
 Workig pressure: NI (40 Pa), with gasket HI (5000 Pa)
 Kind of fuel: natural gas, oil (sulphur content <0,2% of weight)
 Technology of connections: welding

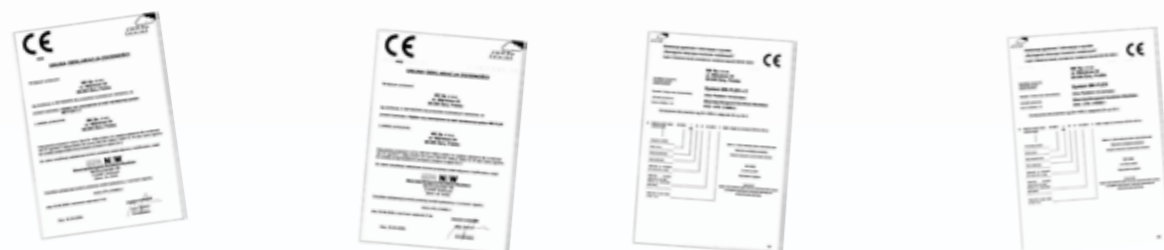


| Doublewall system MKKD PREMIUM | | | | | | | | | | | | | | | | | | | |
|--------------------------------|------------------|--|---|-------|-------|-------|-------|-------|--------|--------|--------|--------|--------|--------|--------|--------|--------|--------|--------|
| l.p. | Symbol | Item name / diameter | Ø 80 | Ø 100 | Ø 113 | Ø 120 | Ø 130 | Ø 140 | Ø 150 | Ø 160 | Ø 180 | Ø 200 | Ø 225 | Ø 250 | Ø 300 | Ø 350 | Ø 400 | Ø 450 | Ø 500 |
| 1 | AFKS 45 | Tee-pipe 45° | 60,00 | 64,17 | 68,06 | 71,11 | 75,83 | 82,22 | 88,06 | 93,61 | 110,56 | 117,78 | 141,11 | 180,00 | 218,06 | 326,67 | 342,22 | 391,11 | 605,28 |
| 2 | AFKS 87 | Tee-pipe 87° | 42,78 | 48,33 | 61,67 | 64,44 | 67,50 | 70,56 | 75,28 | 79,72 | 86,39 | 97,22 | 111,11 | 123,33 | 158,33 | 211,67 | 244,44 | 287,22 | 426,11 |
| 3 | AFKSR 87 | Tee-pipe 87° | when tee-pipe outlet>dn, price AFKS+ RD MKD;when tee-pipe outlet <dn price AFKS + 10% | | | | | | | | | | | | | | | | |
| 4 | BGK 15 | Elbow 15° | 29,72 | 32,78 | 41,11 | 41,11 | 41,67 | 46,39 | 49,17 | 51,94 | 56,94 | 62,50 | 66,39 | 72,78 | 81,94 | 105,56 | 122,22 | 165,28 | 184,17 |
| 5 | BGK 30 | Elbow 30° | 29,72 | 33,89 | 41,11 | 41,11 | 41,67 | 46,39 | 49,44 | 53,61 | 60,56 | 66,67 | 75,00 | 83,06 | 94,72 | 111,67 | 138,61 | 166,39 | 206,39 |
| 6 | BGK 45 | Elbow 45° | 32,78 | 36,67 | 45,28 | 45,28 | 46,11 | 50,83 | 54,44 | 56,94 | 62,78 | 68,61 | 78,33 | 85,28 | 94,72 | 120,28 | 169,72 | 167,22 | 214,17 |
| 7 | BGK 93 | Elbow 93° | 38,33 | 44,72 | 53,89 | 55,28 | 57,78 | 63,06 | 65,83 | 68,06 | 73,89 | 82,78 | 100,28 | 124,17 | 151,67 | 167,22 | 195,00 | 225,83 | 313,06 |
| 8 | BGRK 93 | Elbow 93° with inspection door | 48,61 | 55,00 | 55,00 | 55,83 | 58,06 | 66,39 | 70,00 | 71,94 | 79,72 | 87,50 | 111,11 | 128,61 | 151,67 | 171,67 | 198,61 | 226,39 | 282,78 |
| 9 | GBKK 93 | Elbow 93° with inspection door | 48,61 | 55,00 | 55,00 | 55,83 | 58,06 | 66,39 | 70,00 | 71,94 | 79,72 | 87,50 | 111,11 | 128,61 | 151,67 | 171,67 | 198,61 | 226,39 | 282,78 |
| 10 | GBSK 93 | Elbow 93° with inspection door and support | 48,33 | 56,94 | 58,33 | 60,83 | 65,00 | 69,72 | 77,22 | 77,78 | 86,67 | 95,56 | 109,44 | 147,50 | 163,06 | 188,89 | 220,56 | 240,00 | 287,22 |
| 11 | KFKP | Anchor plate | 22,50 | 25,00 | 29,44 | 30,00 | 30,56 | 31,67 | 33,61 | 36,11 | 39,44 | 45,28 | 49,72 | 57,78 | 70,28 | 83,61 | 98,61 | 114,17 | 130,56 |
| 12 | KFKS | Anchor plate | 24,17 | 27,22 | 30,56 | 31,67 | 33,89 | 36,11 | 38,33 | 40,83 | 45,28 | 48,89 | 50,28 | 63,89 | 73,61 | 86,39 | 103,33 | 121,11 | 140,28 |
| 13 | KFSK | Anchor plate | 28,33 | 32,22 | 37,22 | 38,06 | 39,17 | 41,11 | 42,22 | 45,28 | 49,44 | 54,44 | 65,83 | 76,11 | 92,78 | 110,00 | 129,17 | 148,89 | 169,72 |
| 14 | PATK | Cleanout | 48,61 | 52,22 | 55,00 | 56,39 | 58,61 | 70,83 | 74,44 | 75,56 | 79,17 | 87,78 | 93,89 | 114,17 | 137,22 | 147,22 | 158,89 | 188,89 | 200,00 |
| 15 | RD MKKD | Reduction | 13,50 | 14,51 | 15,28 | 15,66 | 16,28 | 19,68 | 20,68 | 20,99 | 21,99 | 24,38 | 26,08 | 31,71 | 38,12 | 40,90 | 44,14 | 52,47 | 55,56 |
| 16 | RKJ | Telescopic pipe | 46,94 | 54,44 | 55,00 | 57,22 | 60,83 | 64,72 | 68,89 | 73,06 | 80,56 | 88,61 | 94,72 | 111,94 | 133,61 | 154,72 | 181,11 | 205,28 | 230,28 |
| 17 | RTK L250 | Pipe L 250 | 15,00 | 21,11 | 20,00 | 20,60 | 21,94 | 23,33 | 25,00 | 26,39 | 29,17 | 32,22 | 36,67 | 41,11 | 48,89 | 57,50 | 66,94 | 70,56 | 79,72 |
| 18 | RTK L500 | Pipe L 500 | 26,67 | 31,39 | 34,44 | 35,83 | 38,06 | 40,56 | 43,33 | 45,83 | 50,28 | 55,56 | 63,06 | 70,00 | 78,33 | 87,50 | 102,22 | 116,39 | 131,11 |
| 19 | RTK L1000 | Pipe L 1000 | 41,67 | 50,83 | 55,56 | 57,78 | 61,11 | 64,44 | 68,06 | 73,89 | 79,44 | 89,17 | 99,17 | 109,44 | 131,11 | 157,50 | 183,06 | 206,94 | 229,17 |
| 20 | RTKM 1/2"x1 L250 | Pipe wth connection | 28,06 | 34,17 | 33,06 | 33,61 | 35,00 | 36,39 | 38,06 | 39,44 | 42,22 | 53,33 | 49,72 | 54,17 | 56,39 | 70,56 | 80,00 | 83,61 | 92,78 |
| 21 | RTKM 64x4x1 L250 | Pipe with connection | - | - | 95,56 | 96,11 | 97,50 | 98,89 | 100,56 | 101,94 | 104,72 | 107,78 | 112,22 | 116,67 | 124,44 | 133,06 | 142,50 | 146,11 | 155,28 |

| Accessories MKD/MKKD | | | | | | | | | | | | | | | | | | | |
|----------------------|---------|--------------------------------|---|-------|--------|--------|--------|--------|--------|--------|--------|--------|--------|--------|---------|--------|--------|--------|--------|
| l.p. | Symbol | Item name / diameter | Ø 80 | Ø 100 | Ø 113 | Ø 120 | Ø 130 | Ø 140 | Ø 150 | Ø 160 | Ø 180 | Ø 200 | Ø 225 | Ø 250 | Ø 300 | Ø 350 | Ø 400 | Ø 450 | Ø 500 |
| 1 | DDT 0 | Roof flashing 0° - 5° | 17,50 | 19,40 | 20,56 | 21,11* | 22,22* | 23,33 | 23,89* | 25,28* | 26,39* | 28,89* | 31,67 | 38,61* | 51,39* | 59,44 | 65,00 | 73,61 | 81,94 |
| 2 | DDT 15 | Roof flashing 5° - 20° | 19,20 | 21,40 | 22,50 | 23,89* | 25,56* | 27,22 | 27,78* | 28,39* | 30,00* | 32,22* | 35,28 | 43,17* | 56,11* | 63,61 | 68,89 | 76,11 | 92,22 |
| 3 | DDT 30 | Roof flashing 20° - 35° | 20,80 | 23,30 | 25,28 | 26,11* | 27,22* | 28,61 | 30,00* | 30,33* | 35,00* | 37,50* | 41,94 | 52,22* | 67,50* | 77,22 | 73,61 | 105,28 | 131,11 |
| 4 | DDT 45 | Roof flashing 35° - 50° | 28,90 | 32,20 | 34,72 | 36,39* | 38,61* | 40,28 | 42,78* | 44,14* | 48,33* | 53,33* | 59,72 | 66,11* | 104,44* | 104,72 | 108,33 | 171,11 | 203,06 |
| 5 | DDTO 15 | Roof flashing 5° - 20° | 55,60 | 67,50 | 73,61 | 75,00 | 76,39 | 78,33 | 79,72 | 80,00 | 85,28 | 86,67 | 96,39 | 100,00 | 123,61 | 127,50 | 142,22 | - | - |
| 6 | DDTO 30 | Roof flashing 20° - 35° | 66,40 | 81,10 | 84,72 | 86,11 | 87,78 | 90,28 | 91,39 | 92,22 | 98,06 | 100,00 | 110,56 | 114,72 | 142,22 | 144,72 | - | - | - |
| 7 | DDTO 45 | Roof flashing 35° - 50° | 79,70 | 97,50 | 101,67 | 103,61 | 105,56 | 108,33 | 110,00 | 110,56 | 117,78 | 119,72 | 132,78 | 137,78 | - | - | - | - | - |
| 8 | DFT | Ceiling sleeve | - | - | 26,11 | 27,22 | 28,33 | 29,72 | 30,83 | 32,22 | 35,00 | 37,78 | 41,39 | 45,28 | 53,33 | 66,67 | 76,11 | 86,11 | 96,94 |
| 9 | END | End cover | - | - | 8,33 | 9,44* | 11,11* | 12,50 | 14,17* | 15,56* | 16,94* | 18,33* | 19,44 | 21,11* | 22,78* | 24,44 | 26,39 | 28,61 | 37,50 |
| 10 | KBS | Reinforced clamp | - | - | 18,61 | 18,61* | 18,61* | 18,89 | 19,44* | 19,72* | 20,56* | 21,39* | 22,50 | 23,89* | 26,39* | 28,89 | 31,11 | 33,61 | 35,83 |
| 11 | KBSO | Reinforced clamp for guy ropes | - | - | 21,39 | 21,67 | 22,78 | 23,33 | 24,17 | 24,72 | 25,56 | 26,39 | 27,22 | 29,17 | 30,56 | 32,22 | 34,44 | 40,00 | 46,94 |
| 12 | KBT | Pipe clamp | 6,10 | 6,10 | 6,11 | 6,11* | 6,11* | 6,11 | 6,11* | 6,11* | 6,11* | 6,39* | 6,39 | 7,78* | 8,89* | 9,72 | 10,83 | 11,94 | 13,06 |
| 13 | KBTS | Pipe clamp | 10,30 | 10,80 | 11,11 | 11,11* | 11,39* | 11,67 | 11,67* | 11,94* | 12,22* | 12,50* | 12,78 | 13,06* | 13,89* | 14,44 | 15,28 | 15,83 | 16,94 |
| 14 | MAT | Mouth-end | 17,20 | 21,40 | 21,67 | 22,78* | 24,72* | 26,11 | 29,17* | 30,83* | 32,22* | 35,00* | 41,11 | 44,44* | 51,67* | 58,33 | 68,61 | 76,11 | 99,17 |
| 15 | RHT WM | Pipe cover | 11,90 | 11,90 | 11,94 | 12,22 | 12,22 | 12,78 | 13,33 | 14,72 | 16,94 | 20,28 | 24,72 | 35,28 | 48,06 | 60,83 | 71,39 | 107,50 | 126,94 |
| 16 | RHTS | Pipe cover | 16,10 | 16,90 | 17,50 | 17,50* | 18,33* | 19,44 | 20,56* | 21,94* | 23,33* | 25,56* | 35,28 | 48,06* | 62,78* | 80,00 | 91,39 | 136,67 | 158,06 |
| 17 | RKT | Rain Flange | 10,00 | 10,60 | 10,83 | 11,11* | 12,22* | 12,50 | 13,06* | 13,61* | 14,17* | 16,39* | 18,06 | 19,44* | 23,06* | 26,94 | 33,89 | 37,50 | 42,78 |
| 18 | SBK | Fixing clamp | 11,40 | 11,90 | 11,94 | 11,94 | 12,22 | 12,50 | 13,06 | 13,06 | 13,61 | 14,17 | 14,72 | 18,06 | 19,17 | 21,11 | 22,22 | 23,06 | 24,72 |
| 19 | SBT | Fixing clamp | - | - | 14,72 | 15,00 | 15,28 | 15,83 | 16,11 | 16,67 | 17,22 | 18,06 | 18,89 | 20,00 | 20,83 | - | - | - | - |
| 20 | SFT | Pipe base | 27,50 | 34,20 | 37,22 | 38,61 | 40,83 | 43,06 | 45,28 | 47,78 | 52,50 | 58,06 | 70,56 | 81,94 | 93,89 | 109,17 | 125,28 | 141,67 | 158,89 |
| 21 | SRT | Flue support | - | - | 34,17 | 34,44 | 34,72 | 35,00 | 35,00 | 35,28 | 35,56 | 36,11 | 36,67 | 37,22 | 42,50 | 46,94 | 48,61 | 52,78 | 58,61 |
| 22 | WBT | Wall end | 9,20 | 9,40 | 10,00 | 10,00* | 10,83* | 11,67 | 12,50* | 13,33* | 13,89* | 15,56* | 16,67 | 18,06* | 19,17* | 20,83 | 22,22 | 24,44 | 27,22 |
| 23 | WHT 1 | Adjustable construction clamp | 18,30 | 18,90 | 19,17 | 19,17* | 20,56* | 21,11 | 21,67* | 22,22* | 23,06* | 23,61* | 24,72 | 25,56* | 29,44* | 32,50 | 38,33 | 43,61 | 53,06 |
| 24 | WHT 2 | Adjustable construction clamp | 22,20 | 25,80 | 28,33 | 28,89* | 30,83* | 32,22 | 33,33* | 34,17* | 35,28* | 36,39* | 40,28 | 41,94* | 44,17* | 46,39 | 49,72 | 53,61 | 65,28 |
| 25 | WHT 3 | Adjustable construction clamp | 25,60 | 29,40 | 34,17 | 34,44* | 35,56* | 36,11 | 38,06* | 38,61* | 39,17* | 43,33* | 45,83 | 47,78* | 49,72* | 53,61 | 62,78 | 68,61 | 83,06 |
| 26 | WKT 1 | Support | - | 30,80 | 30,83 | 31,11* | 31,67* | 32,22 | 36,11* | 37,50* | 41,11* | 44,44* | 48,89 | 53,33* | 69,44* | 82,50 | 96,39 | 109,17 | 216,11 |
| 27 | WKT 2 | Support | - | 32,50 | 35,00 | 36,11* | 37,22* | 38,89 | 42,50* | 44,17* | 47,50* | 50,83* | 55,28 | 60,00* | 82,50* | 99,44 | 113,89 | 129,17 | 145,83 |
| 28 | WKT 3 | Support | - | 48,60 | 48,61 | 50,28* | 51,39* | 53,33 | 58,89* | 60,83* | 71,94* | 76,39* | 82,22 | 88,61* | 101,39* | 141,11 | 158,06 | 176,39 | 195,56 |
| 29 | WS | Support | L235-47,50; L435-55,00 | | | | | | | | | | | | | | | | |
| 30 | WSP | Support | L 570- 67,50; L 630- 70,00; L 720- 73,33; L820- 83,61; L1120- 93,89 | | | | | | | | | | | | | | | | |
| 31 | UKK | Gasket | 1,10* | 1,40* | 1,94* | 1,94* | 1,94* | 2 | | | | | | | | | | | |

System MK FLEX

| MK FLEX | | | | | | | | | | | | | | | | | | | |
|---------|----------------------|------------------------------|---------|---------|-------|-------|-------|-------|-------|-------|-------|-------|-------|-------|-------|-------|-------|-------|-------|
| Symbol | Item name / Diameter | Sys-tem | Version | 80 | 90 | 100 | 110 | 113 | 120 | 125 | 130 | 140 | 150 | 160 | 180 | 200 | 225 | 250 | |
| 1 | FLEX | PR Flex pipe MK FLEX(mb) | flex | premium | 10,00 | 11,39 | 12,50 | 13,89 | 14,17 | 15,00 | 15,56 | 16,39 | 17,50 | 18,89 | 20,00 | 22,50 | 25,00 | 28,33 | 31,39 |
| 2 | FLEX ALU | PR Flex pipe MK FLEX ALU 1m | flex | premium | 3,61* | 3,89* | 4,44* | 4,72* | 4,72* | 5,00* | 5,28* | 5,56* | 5,83* | 5,83* | 6,39* | 7,22* | 7,78* | - | 9,72* |
| 3 | FLEX X2 | PR Flex pipe MK FLEX x2 (mb) | flex | premium | 20,00 | 22,50 | 25,00 | 27,50 | 28,33 | 30,00 | 31,39 | 32,78 | 35,00 | 37,50 | 40,28 | 45,28 | 50,28 | 56,39 | 62,78 |



| Tabelle Verbindung MK FLEX | | | | | | | | | | | | | | | | | | |
|----------------------------|----------------------|----------------------------------|---------|---------|------|------|------|------|-------|-------|-------|-------|-------|-------|-------|-------|-------|-------|
| Symbol | Item name / Diameter | Sys-tem | Version | 80 | 90 | 100 | 110 | 113 | 120 | 125 | 130 | 140 | 150 | 160 | 180 | 200 | 225 | 250 |
| 1 | ZFFKS | PR Package MKS - PDBU with TR 90 | flex | premium | 9,72 | 9,72 | 9,72 | 9,72 | 10,56 | 11,39 | 11,39 | 13,06 | 15,00 | 15,83 | 17,22 | 18,61 | 20,28 | 28,33 |
| 2 | ZFFS | ST Package MKS - PDBU with TR 90 | flex | premium | 9,72 | 9,72 | 9,72 | 9,72 | 10,56 | 11,39 | 11,39 | 13,06 | 15,00 | 15,83 | 17,22 | 18,61 | 20,28 | 28,33 |
| 3 | ZFFZS | PR Package MKS - PDU with TR 90 | flex | premium | 9,72 | 9,72 | 9,72 | 9,72 | 10,56 | 11,39 | 11,39 | 13,06 | 15,00 | 15,83 | 17,22 | 18,61 | 20,28 | 28,33 |
| 4 | ZFRS | ST Package MKS - PDU with TR 90 | flex | premium | 9,72 | 9,72 | 9,72 | 9,72 | 10,56 | 11,39 | 11,39 | 13,06 | 15,00 | 15,83 | 17,22 | 18,61 | 20,28 | 28,33 |

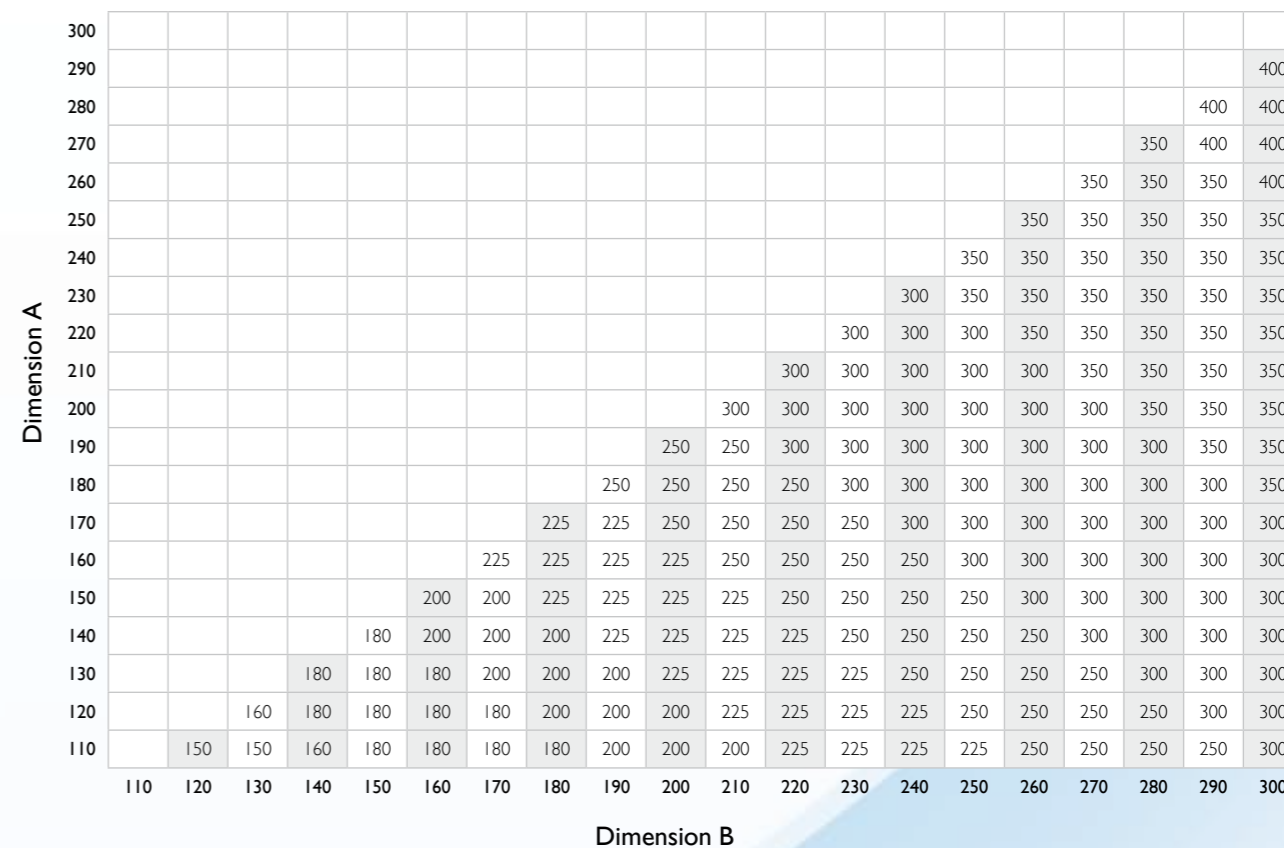
Remaining Accessories

| Silencers | | | | 130 | 150 | 180 | 200 | 225 | 250 | 300 | 350 | 400 | 450 | 500 | |
|-----------|---------|--|---------------|----------|--------|--------|--------|--------|--------|---------|---------|---------|---------|---------|---------|
| 1 | ASD E15 | A Acoustic silencer ASD E15 outlet MKS | Schalldämpfer | Zube-hör | 455,83 | 516,11 | 640,00 | 702,50 | 823,06 | 943,89 | 1278,89 | 1583,61 | - | - | - |
| 2 | ASD E25 | A Acoustic silence ASD E25 outlet MKS | Schalldämpfer | Zube-hör | 548,33 | 646,39 | 798,33 | 906,67 | 987,22 | 1066,67 | 1625,28 | 2028,89 | - | - | - |
| 3 | ASD M15 | A Acoustic silence ASD M15 outlet MKS | Schalldämpfer | Zube-hör | 304,72 | 340,83 | 418,06 | 454,17 | 582,78 | 711,39 | 887,50 | 1366,67 | 1736,39 | 1856,94 | 1929,17 |
| 4 | ASD M25 | A Acoustic silence ASD M25 outlet MKS | Schalldämpfer | Zube-hör | 398,61 | 439,72 | 532,22 | 591,67 | 739,44 | 888,33 | 1088,33 | 1536,11 | 2012,22 | 2222,78 | 2395,56 |

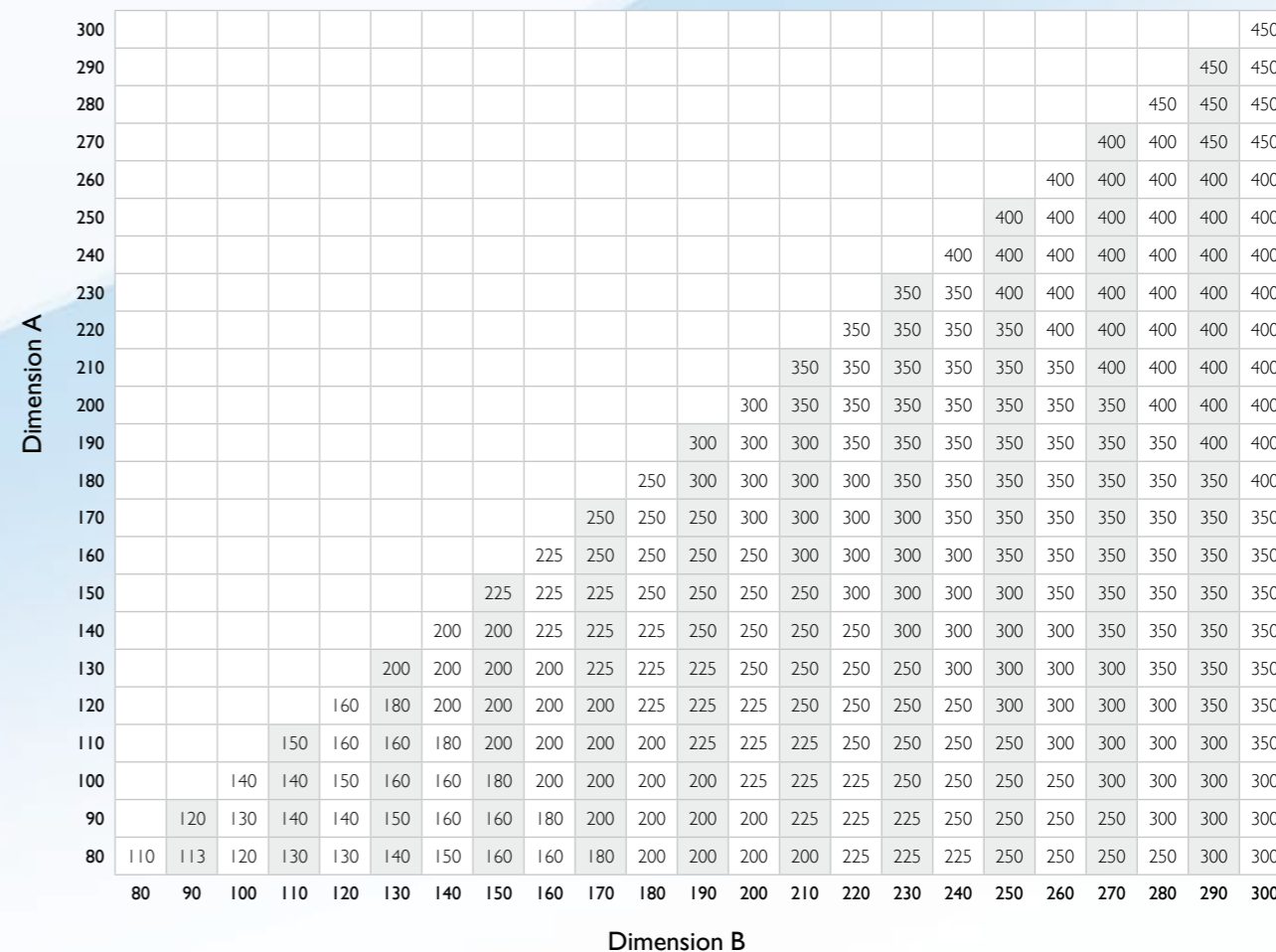
| Chimney Cap | | | | 100 | 113 | 120 | 130 | 140 | 150 | 160 | 180 | 200 | 225 | 250 | 300 | |
|-------------|------|--|-------------------------|---------|--------|--------|--------|--------|--------|--------|--------|--------|--------|--------|---------|---------|
| 1 | DR-R | A Chimney cap without plate Dragon DR-R | Neutrali-sationsan-lage | Zubehör | 81,39 | 81,39 | 81,39 | 81,39 | 81,39 | 66,11* | 94,17 | 94,17 | 74,44* | 93,33 | 81,94* | 96,11* |
| 2 | DR-R | A Chimney cap with plate Dragon DR-R 100 | Neutrali-sationsan-lage | Zubehör | 91,39 | 91,39 | 91,39 | 92,22 | 92,22 | 92,22 | 112,22 | 112,22 | 112,22 | 124,44 | 124,44 | 145,28 |
| 3 | TU-R | A Chimney cap without plate Turbo TU-R 100 | Neutrali-sationsan-lage | Zubehör | 96,39 | 96,39 | 96,39 | 96,39 | 96,39 | 80,83* | 109,44 | 109,44 | 96,11* | 126,67 | 114,17* | 130,56* |
| 4 | TU-R | A Chimney cap with plate Turbo TU-R 100 | Neutrali-sationsan-lage | Zubehör | 109,17 | 109,17 | 109,17 | 111,11 | 111,11 | 111,11 | 122,78 | 122,78 | 122,78 | 145,56 | 145,56 | 166,67 |

* - Elements available in stock The remaining elements not mentioned in the price list are subject to individual quotation after receiving appropriate information from the customer.
 ** The symbol of the element is made by inserting diameter into XX place. F.ex. Raincap A diameter 150 – symbol 0A150. Prices in EUR without tax
 Elements not included in the above charts are available as non standard elements

Conversion chart Oval



Conversion chart Rectangle



MKS Standard
 MKKS Standard
 MKD Standard
 MKKD Standard
 MKS Premium
 MKKS Premium
 MKD Premium
 MKKD Premium
 MK FLEX